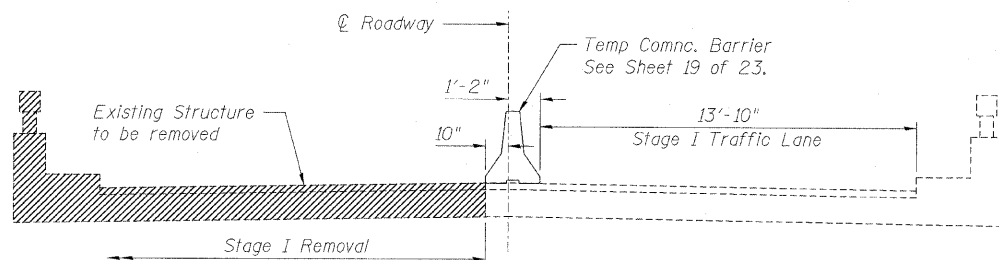
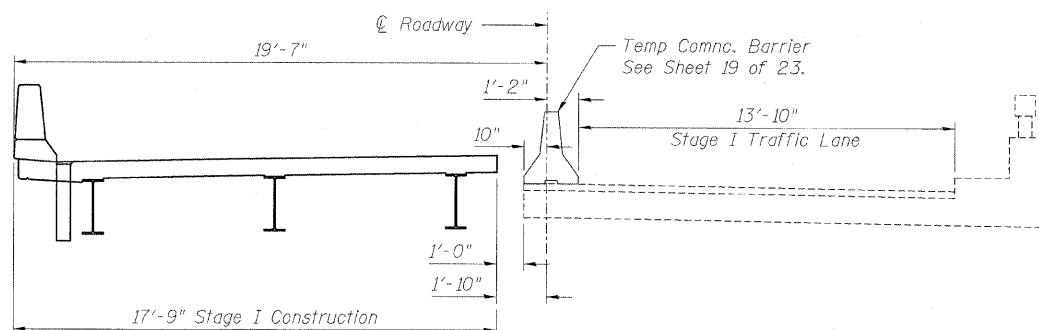


STATE OF ILLINOIS
DEPARTMENT OF TRANSPORTATION

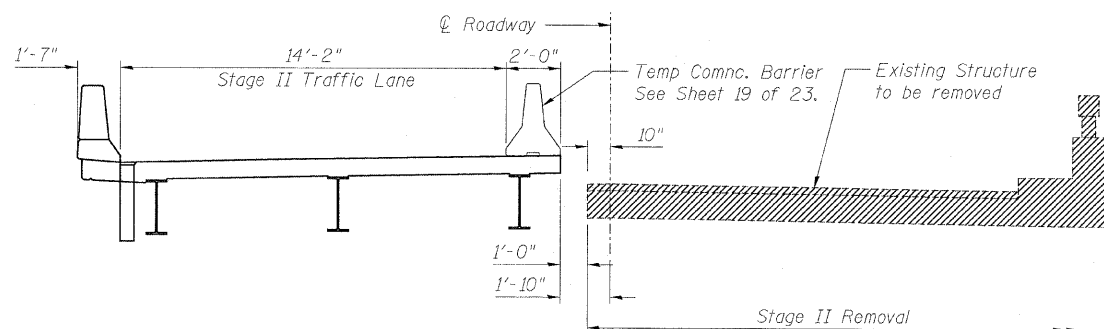
ROUTE NO.	SECTION	COUNTY	TOTAL SHEETS	SHEET NO.	SHEET NO. 3 OF 23 SHEETS
U.S. 52	(3) BR-1	LASALLE	44	13	
FED. ROAD DIST. NO. 7	ILLINOIS	FED. AID PROJECT	CONTRACT NO. 66619		



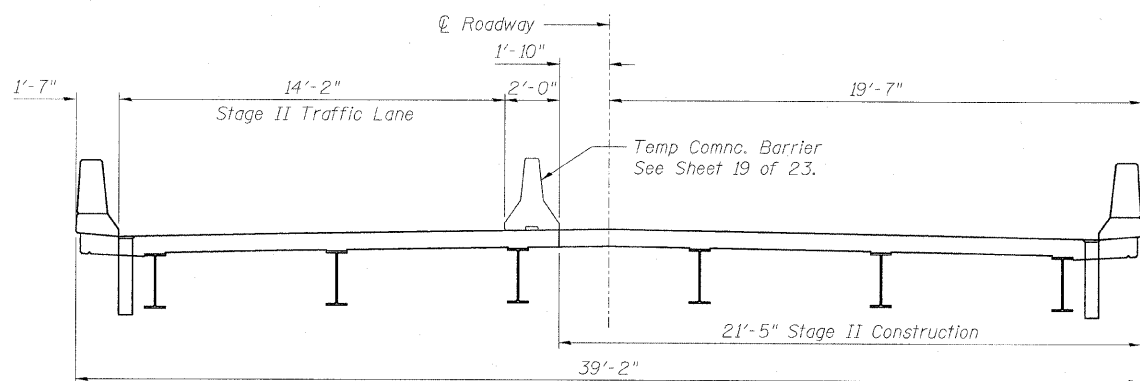
STAGE I REMOVAL
(All views Looking East)



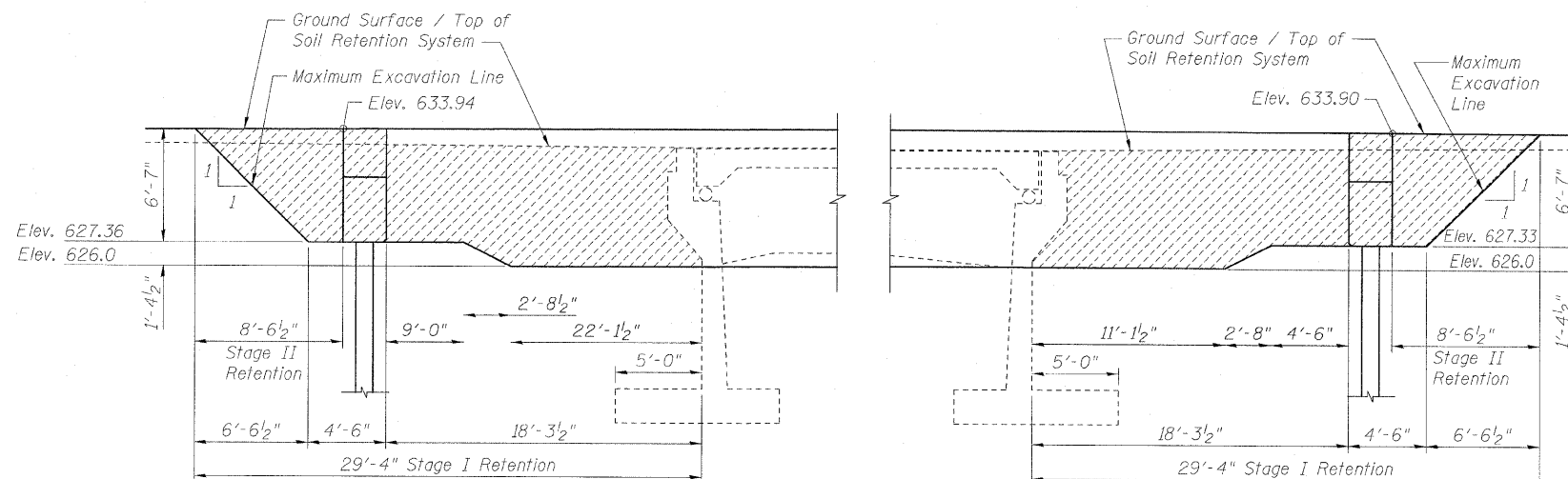
STAGE I CONSTRUCTION



STAGE II REMOVAL



STAGE II CONSTRUCTION



TEMPORARY SOIL RETENTION SYSTEM

Exposed Surface Area

A cantilevered sheet piling design does not appear feasible and additional members or other retention systems may be necessary. The Contractor shall submit a temporary soil retention system design including plan details and calculations for review and acceptance by the Engineer.

STAGE CONSTRUCTION DETAILS
US ROUTE 52 AND IL ROUTE 23 OVER
CROOKED LEG CREEK
F.A.P. ROUTE 68 SECTION (3) BR-1
LASALLE COUNTY
STATION 419+80.00
STRUCTURE NUMBER 050-0240