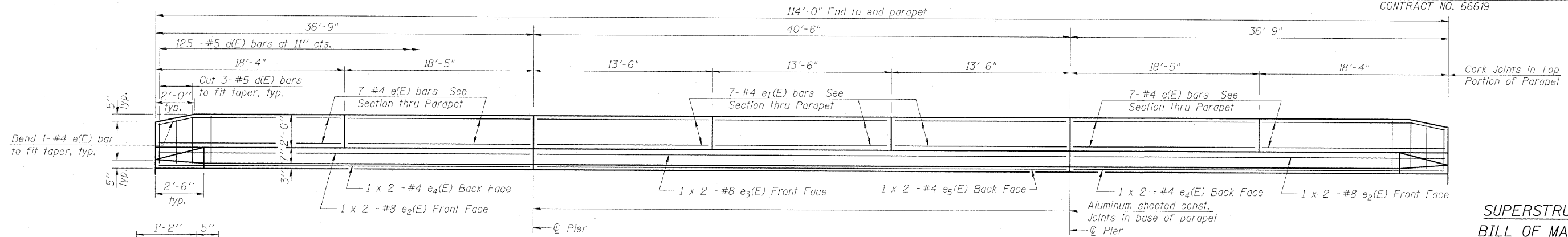


STATE OF ILLINOIS
DEPARTMENT OF TRANSPORTATION

ROUTE NO.	SECTION	COUNTY	TOTAL SHEETS	SHEET NO.	SHEET NO. 9 OF 23 SHEETS
114	(3)BR-1	LASALLE	44	19	
FED. ROAD DIST. NO. 7		ILLINOIS	FED. AID PROJECT-		
CONTRACT NO. 66619					



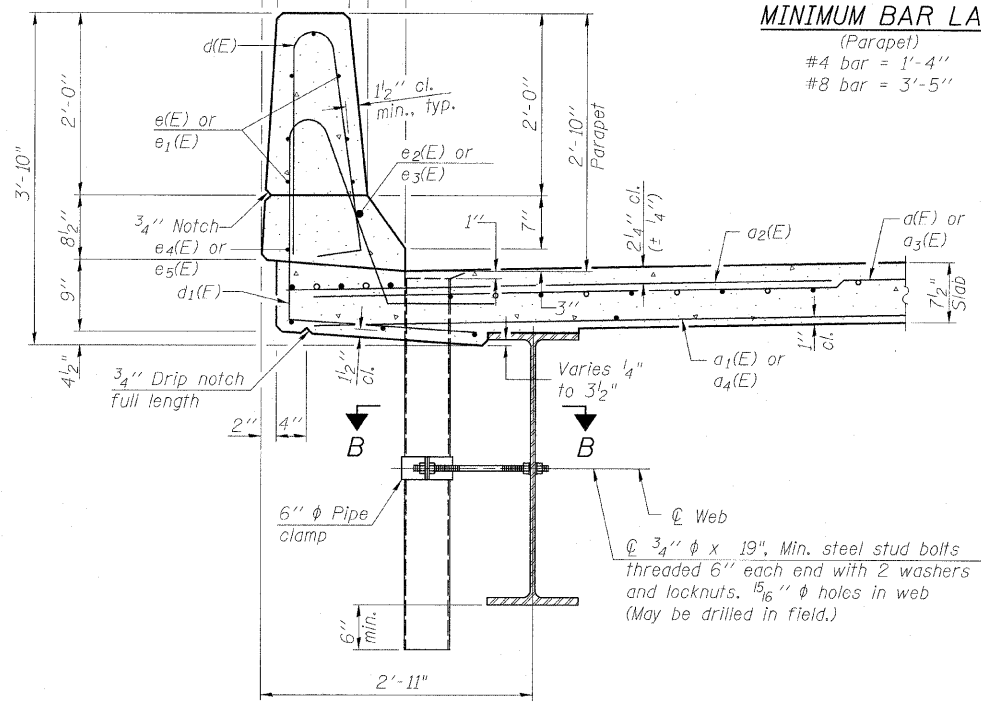
INSIDE ELEVATION OF PARAPET

SUPERSTRUCTURE
BILL OF MATERIAL

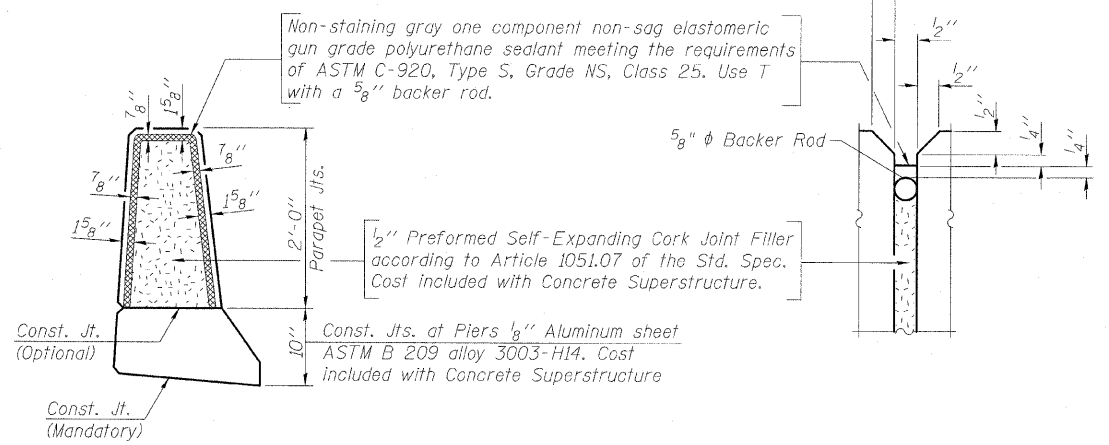
Bar No.	Size	Length	Shape
a(E)	211	#5	20'-10"
a ₁ (E)	153	#5	20'-3"
a ₂ (E)	212	#6	6'-0"
a ₃ (E)	211	#5	17'-3"
a ₄ (E)	153	#5	16'-7"
b(E)	168	#5	30'-0"
b ₁ (E)	78	#6	23'-9"
b ₂ (E)	180	#5	24'-6"
d(E)	250	#5	5'-7"
d ₁ (E)	250	#5	7'-9"
e(E)	56	#4	18'-0"
e ₁ (E)	42	#4	13'-2"
e ₂ (E)	8	#8	20'-6"
e ₃ (E)	4	#8	22'-4"
e ₄ (E)	8	#4	19'-2"
e ₅ (E)	4	#4	21'-1"
m(E)	4	#6	16'-8"
m ₁ (E)	6	#6	17'-5"
m ₂ (E)	12	#6	7'-8"
m ₃ (E)	8	#6	6'-4"
m ₄ (E)	4	#6	2'-7"
m ₅ (E)	4	#6	20'-3"
m ₆ (E)	6	#6	21'-0"
m ₇ (E)	12	#6	8'-10"
m ₈ (E)	2	#6	1'-4"
m ₉ (E)	2	#6	4'-8"
s(E)	82	#5	5'-8"
s ₁ (E)	72	#4	7'-10"
v(E)	76	#5	3'-0"
Reinforcement Bars, Epoxy Coated	Pound		36,240
Concrete Superstructure	Cu. Yds.		153.5

Bars indicated thus 1 x 2 - #5 etc. indicates 1 line of bars with 2 lengths per line.

MINIMUM BAR LAP
(Parapet)
#4 bar = 1'-4"
#8 bar = 3'-5"

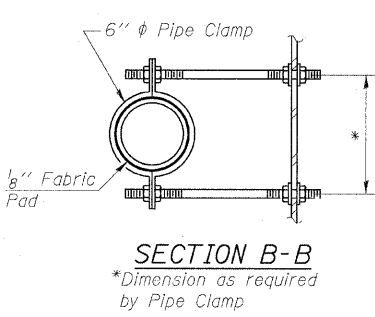


SECTION THRU PARAPET

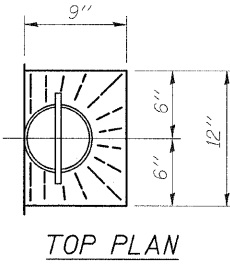


PARAPET JOINT DETAILS

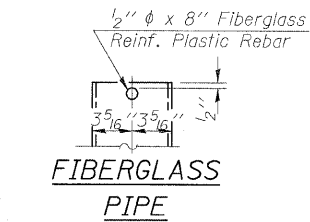
Notes:
The exterior surfaces of the floor drains shall be painted with the finish coat as specified in the special provisions for Cleaning and Painting New Metal Structures. The exterior surfaces of the drains shall be cleaned according to Steel Structures Painting Council's Spec. SSPC-SP1 prior to painting.
Fiberglass pipe shall conform to ASTM D 2996, with short-time rupture strength hoop tensile stress of 30,000 p.s.i. minimum.



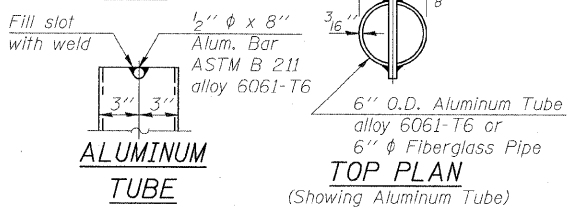
SECTION B-B
*Dimension as required by Pipe Clamp



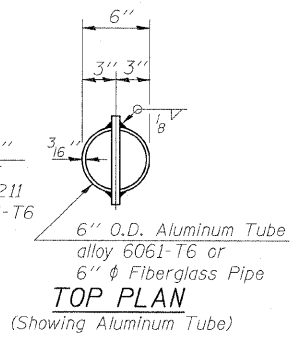
TOP PLAN



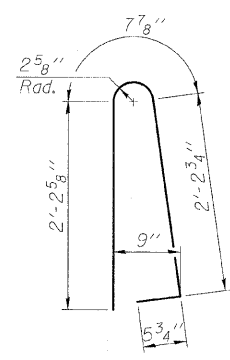
FIBERGLASS PIPE



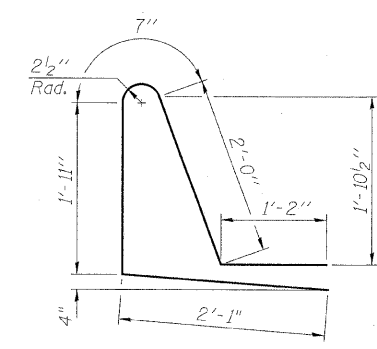
ALUMINUM TUBE



TOP PLAN
(Showing Aluminum Tube)



BAR d(E)



BAR d₁(E)

SUPERSTRUCTURE DETAILS
US ROUTE 52 AND IL ROUTE 23 OVER
CROOKED LEG CREEK
F.A.P. ROUTE 68 SECTION (3) BR-1
LASALLE COUNTY
STATION 419+80.00
STRUCTURE NUMBER 050-0240