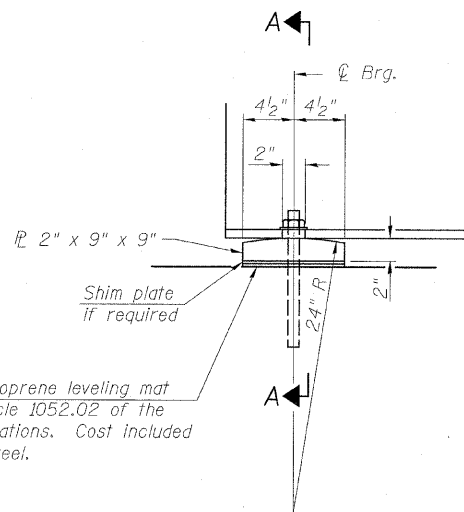


STATE OF ILLINOIS
DEPARTMENT OF TRANSPORTATION

ROUTE NO.	SECTION	COUNTY	TOTAL SHEETS	SHEET NO.	SHEET NO. 11 OF 23 SHEETS
S. R. I. F. A.	(3) BR-1	LASALLE	44	21	
FED. ROAD DIST. NO. 7	ILLINOIS	FED. AID PROJECT	CONTRACT NO. 66619		

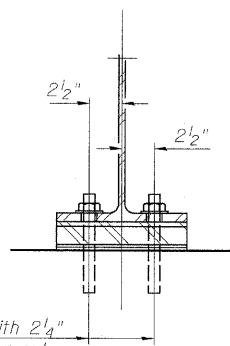


1/8" elastomeric neoprene leveling mat according to Article 1052.02 of the Standard Specifications. Cost included with Structural Steel.

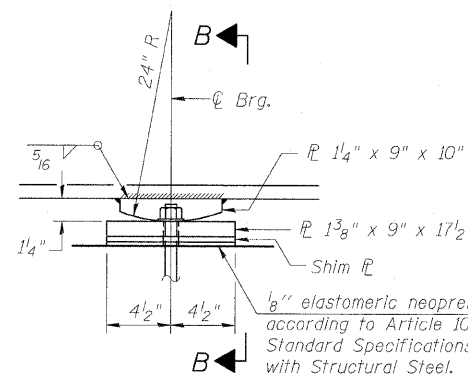
1" ϕ x 12" anchor bolts with 2 1/4" x 2 1/4" x 5/16" \mathbb{R} washer under nut. 1 3/8" x 2" slotted hole in flange. 1/2" ϕ holes in bearing plate. Contractor has the option of cast in place or drilled installation.

ELEVATION AT ABUTMENT

FIXED BEARING AT ABUTMENTS



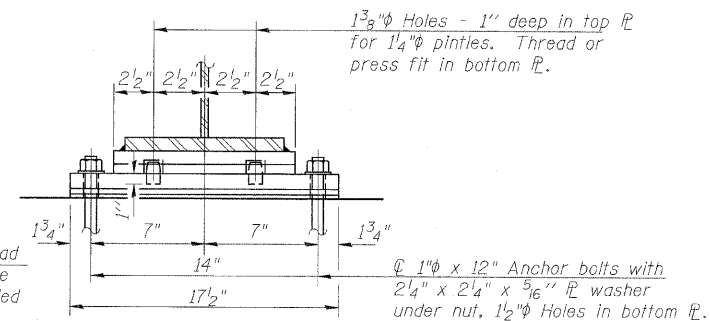
SECTION A-A



1/8" elastomeric neoprene leveling pad according to Article 1052.02 of the Standard Specifications Cost included with Structural Steel.

ELEVATION AT PIER

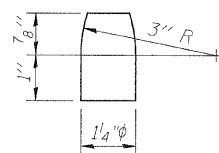
FIXED BEARING AT PIERS



1 3/8" ϕ Holes - 1" deep in top \mathbb{R} for 1/4" ϕ pintles. Thread or press fit in bottom \mathbb{R} .

1" ϕ x 12" Anchor bolts with 2 1/4" x 2 1/4" x 5/16" \mathbb{R} washer under nut, 1/2" ϕ Holes in bottom \mathbb{R} .

SECTION B-B



PINTLE

Notes:

Anchor bolts at fixed bearings may either be cast in place or installed in holes after the supported member is in place.

Anchor bolts shall be ASTM F1554 or AASHTO M314, Grade 55.

Drilled and set anchor bolts shall be installed according to Article 521.06 of the Standard Specifications.

Two 1/8 in. adjusting shims shall be provided for each bearing in addition to all other plates or shims and placed as shown on bearing details.

BILL OF MATERIAL

Anchor Bolts, 1"	Each	48

BEARING DETAILS
US ROUTE 52 AND IL ROUTE 23 OVER
CROOKED LEG CREEK
F.A.P. ROUTE 68 SECTION (3) BR-1
LASALLE COUNTY
STATION 419+80.00
STRUCTURE NUMBER 050-0240