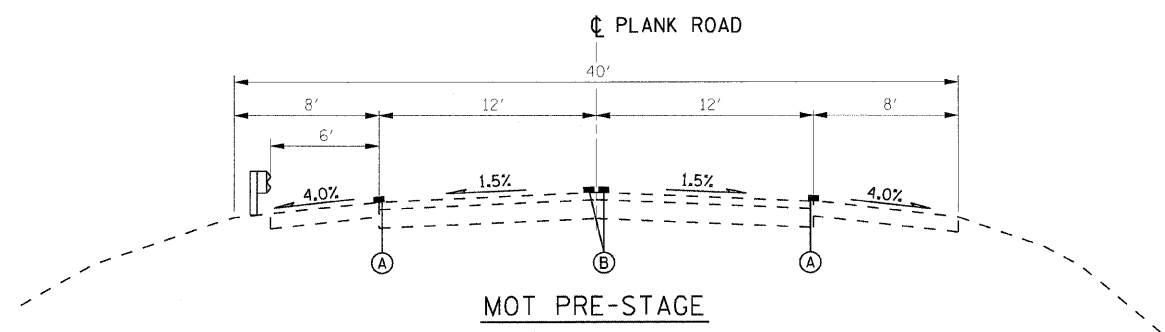
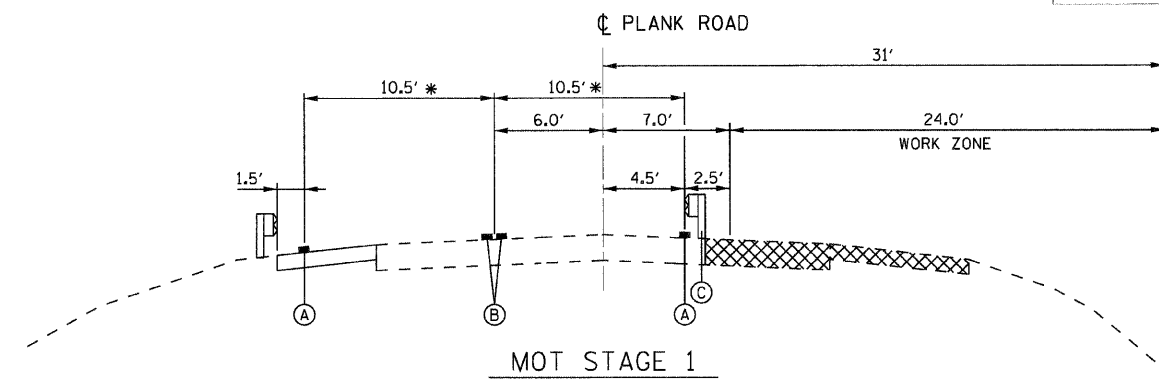


FAU RTE.	SECTION	COUNTY	TOTAL SHEETS	SHEET NO.
I-80	50-8 HBR	LASALLE	143	32
STA.		TO STA.		
FED. ROAD DIST. NO. 3		ILLINOIS FED. AID PROJECT		



MOT PRE-STAGE
STA 293+16 TO STA 306+88

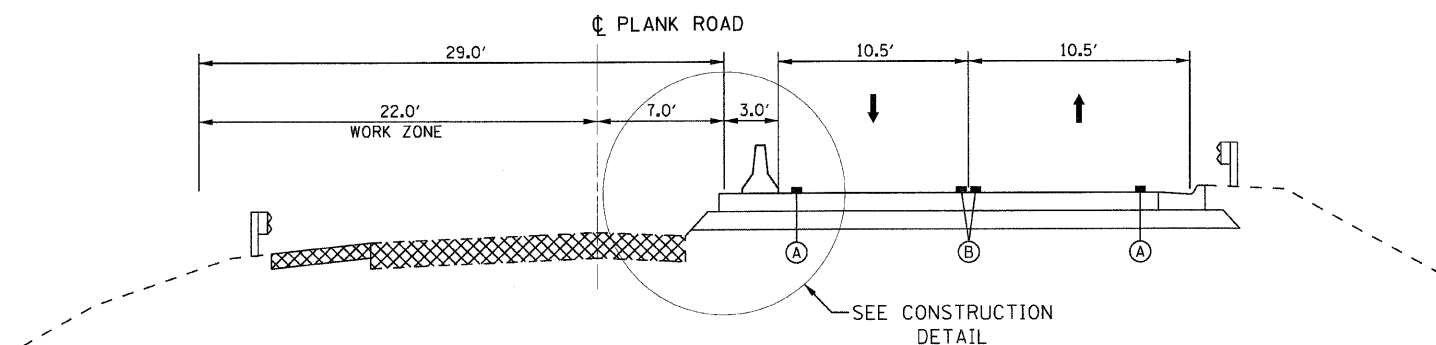
1. REMOVE AREAS OF EXISTING SB OUTSIDE SHOULDER & GUARDRAIL.
2. INSTALL PAVEMENT AS INDICATED ON THE STAGE 1 PLAN.
3. REMOVE EXISTING ISLANDS, INSTALL PAVEMENT.
4. MOT SHALL BE ACCORDING TO STD. 701326.
5. THIS WORK SHALL BE PAID FOR AS TRAFFIC CONTROL AND PROTECTION, STANDARD 701326.



MOT STAGE 1
STA 290+36 TO STA 298+86.52
STA 301+13.48 TO STA 309+75

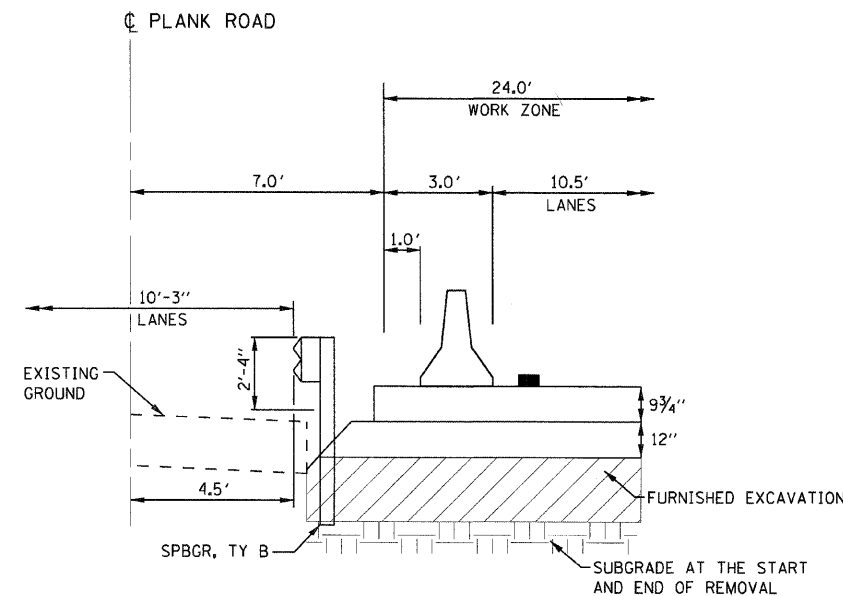
* 10.35 FT ON EXISTING BRIDGE

1. REMOVE AND REPLACE NORTHBOUND STRUCTURE.
2. REMOVE AND REPLACE APPROACH SLABS AND PAVEMENT EACH SIDE OF STRUCTURE.
3. INSTALL AGGREGATE BASE, PCC JOINTED PAVEMENT, AND BINDER COURSES.
4. INSTALL PCC WIDENING AND BINDER COURSE WITHOUT SURFACE COURSE.
5. INSTALL PRISMATIC REFLECTORS ON GUARDRAIL/BRIDGERAIL 20' CENTERS.
6. THIS WORK SHALL BE PAID FOR AS TRAFFIC CONTROL COMPLETE.



MOT STAGE 2
STA 290+36 TO STA 298+86.52
STA 301+13.48 TO STA 309+75

1. REMOVE AND REPLACE SOUTHBOUND STRUCTURE.
2. REMOVE AND REPLACE APPROACH SLABS AND PAVEMENT EACH SIDE OF STRUCTURE.
3. INSTALL AGGREGATE BASE, PCC JOINTED PAVEMENT, AND BINDER COURSES.
4. INSTALL PCC WIDENING.
5. INSTALL PRISMATIC REFLECTORS ON TEMPORARY BARRIER WALL 20' CENTERS.
6. THIS WORK SHALL BE PAID FOR AS TRAFFIC CONTROL COMPLETE.



MOT BETWEEN STAGE 1 & 2 CONSTRUCTION DETAIL

MOT STAGE 3
STA 290+96.28 TO STA 309+14.95

1. INSTALL PROPOSED ISLANDS AT BOTH EXIT RAMP.
2. MILL EACH END OF PROJECT AND PLACE THE SURFACE/BINDER COURSES ON THE ENTIRE PROJECT.
3. SIGNING AND BARRICADING WILL BE ACCORDING TO STATE STANDARDS 701306.
4. THIS WORK SHALL BE PAID FOR AS TRAFFIC CONTROL AND PROTECTION, STANDARD 701306.

MOT LEGEND

- (A) WET TEMPORARY PAVEMENT MARKING TAPE - LINE 4", WHITE
- (B) WET TEMPORARY PAVEMENT MARKING TAPE - LINE 4", YELLOW
- (C) STEEL PLATE BEAM GUARDRAIL, TYPE B

REVISIONS	
NAME	DATE

ILLINOIS DEPARTMENT OF TRANSPORTATION
FAI ROUTE 80 UNDER FAU 6097 (PLANK ROAD)
MAINTENANCE OF TRAFFIC
TYPICAL SECTIONS

SCALE: VERT. NONE
HORIZ. N.T.S.
DATE: 12/02/09

DRAWN BY ENTRAN/CAD
CHECKED BY TMH

PLOT DATE = 2/1/2010
 FILE NAME = s:\projects\2009\66645\001\cadd\PLMOTTYR80.rds
 PLOT SCALE = 1/8" = 1'-0"
 PLOT TIME = 4:01:38 PM