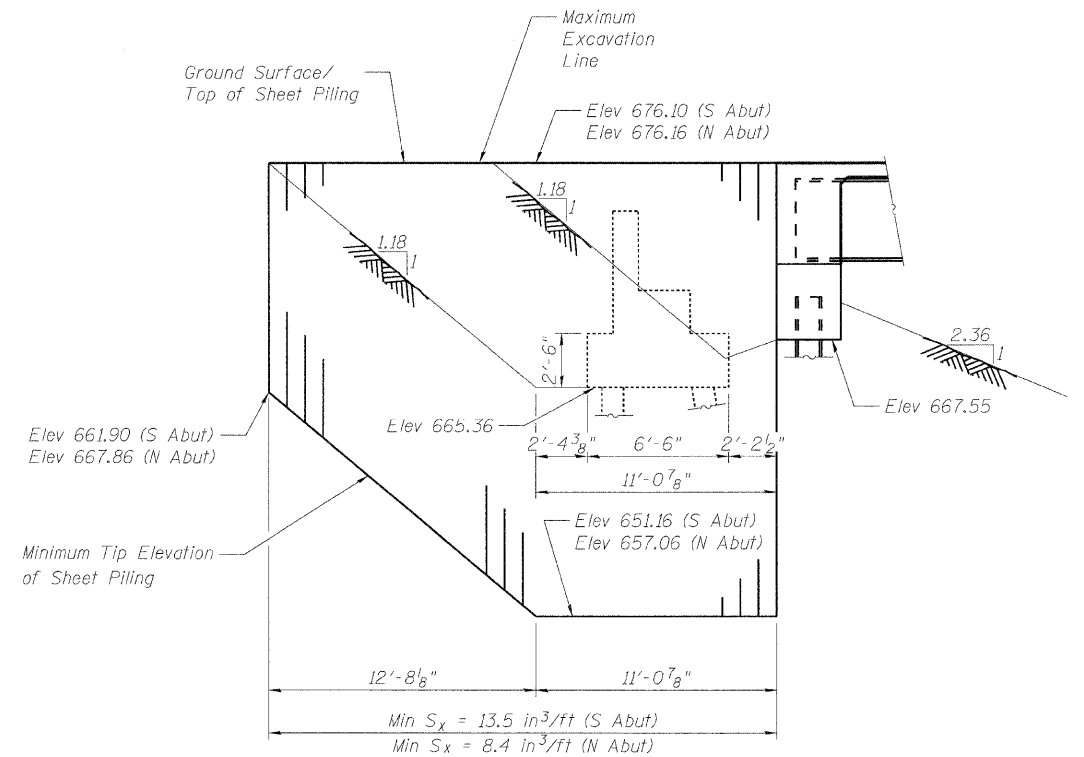
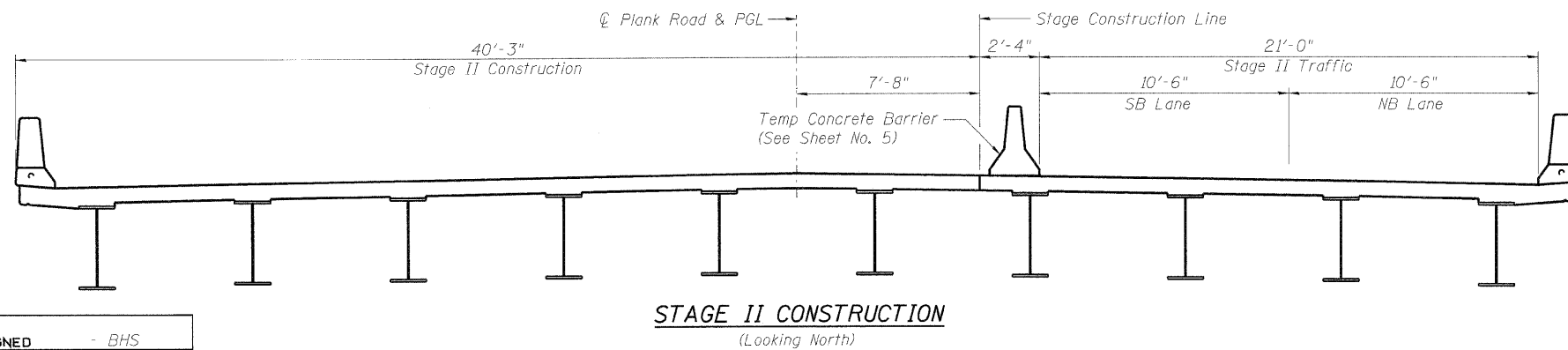
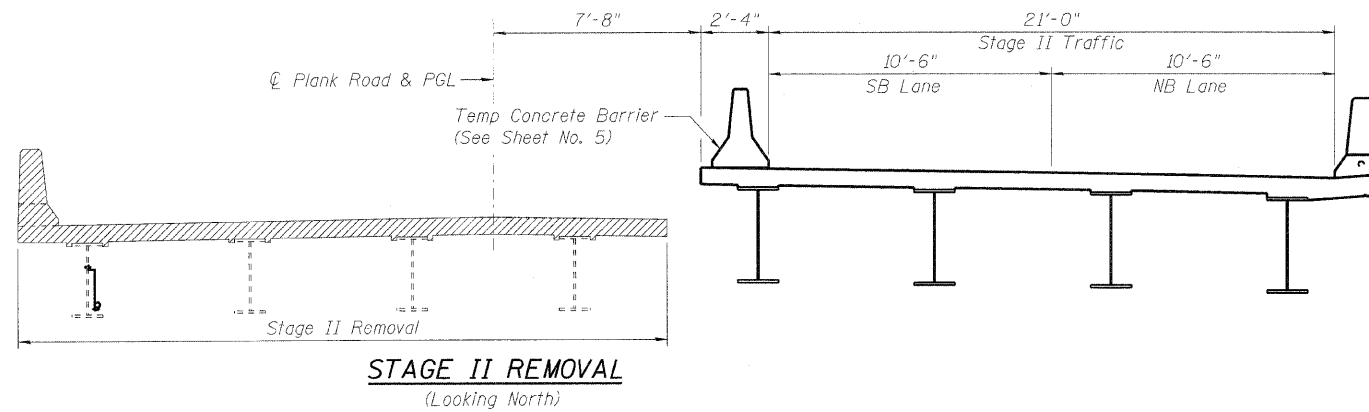
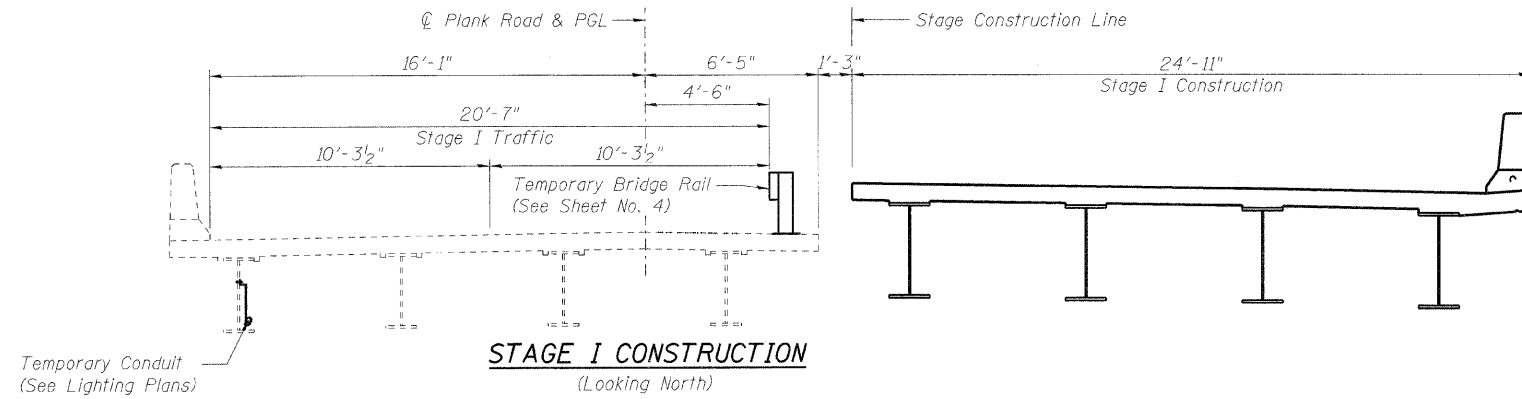
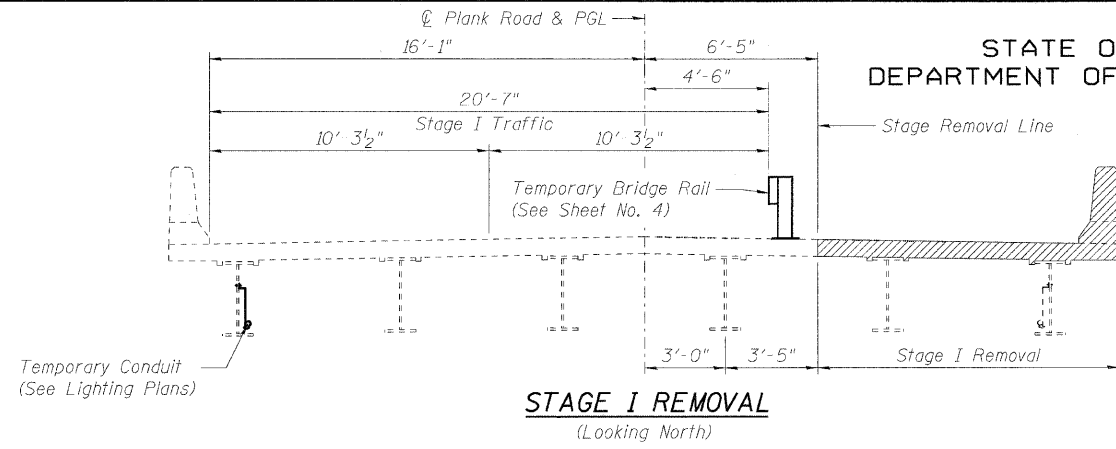


STATE OF ILLINOIS
DEPARTMENT OF TRANSPORTATION

ROUTE NO.	SECTION	COUNTY	LEADER SHEETS	SHEET NO.	SHEET NO. 3 26 SHEETS
FAI 80	50-8HBR	LASALLE	143	64	
FED. ROAD DIST. NO. 7		ILLINOIS		FED. ROAD PROJECT	

Contract # 66645



SHEET PILE ELEVATION

(South Abutment shown looking west, North Abutment similar)

Note:

If the Contractor chooses to alter the temporary cantilevered sheet piling design requirements shown on the plans, a design submittal including plan details and calculations will be required for review and acceptance by the Engineer.

DESIGNED	- BHS
CHECKED	- BPS
DRAWN	- RRG
CHECKED	- GSP

**STAGE CONSTRUCTION
DETAILS**

PLANK ROAD OVER
FAI ROUTE 80 (I-80)
SECTION 50-8HBR
LASALLE COUNTY
STATION 3886+74.90
STRUCTURE NO. 050-0249

PLOT DATE = 2/21/2010
FILE NAME = g:\projects\2005\48851\001\roads\PLR_CDNS.dwg
PLOT SCALE = N/A
USER NAME = zeaigeb