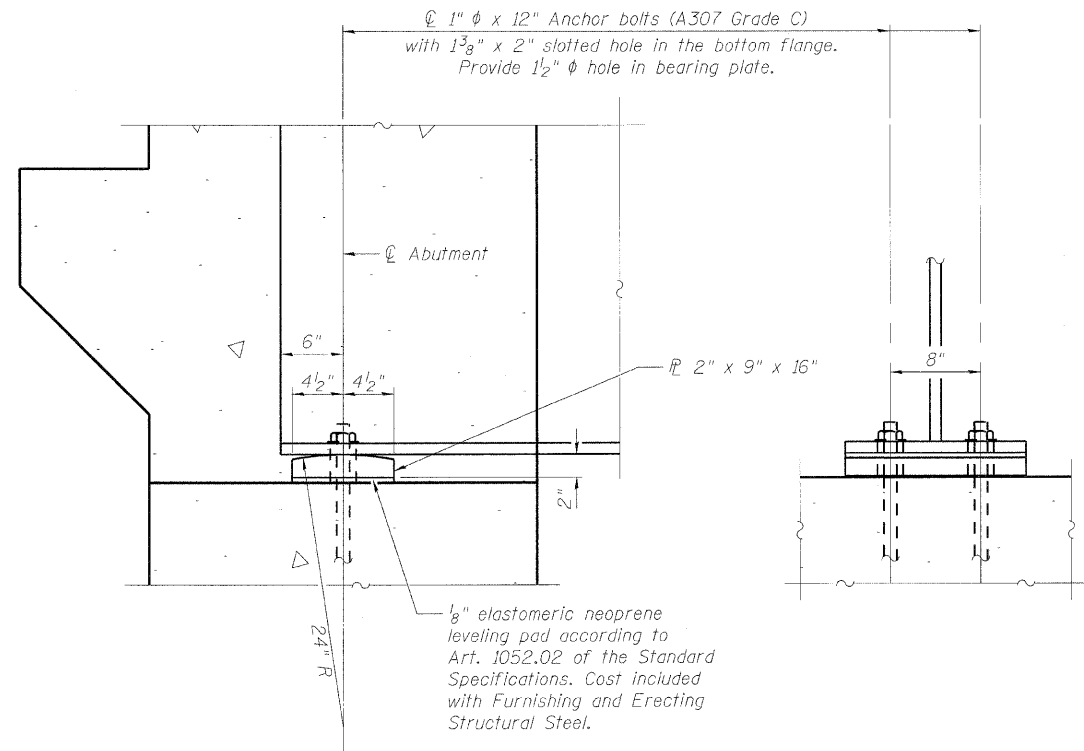


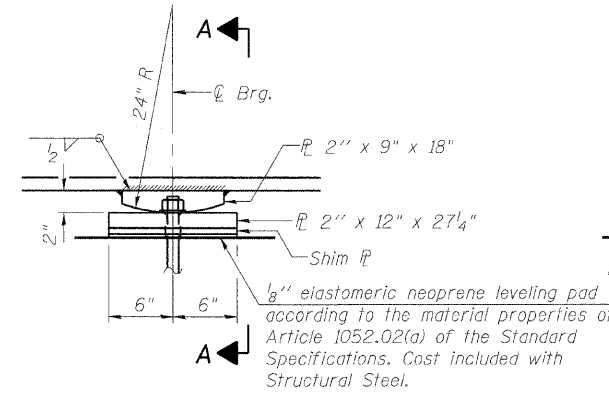
STATE OF ILLINOIS
DEPARTMENT OF TRANSPORTATION

ROUTE NO.	SECTION	COUNTY	SHEET NO.	SHEET	SHEET NO. 18
FAI 80	50-8HBR	LASALLE	143	79	26 SHEETS
FED. ROAD DIST. NO. 7	ILLINOIS	FED. AID PROJECT-			

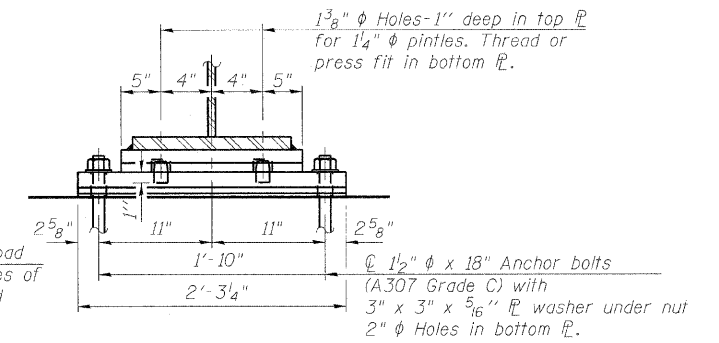
Contract # 66645



INTEGRAL ABUTMENT BEARING

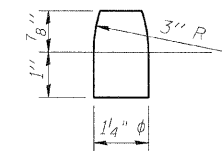


ELEVATION AT PIER



SECTION A-A

FIXED BEARING



PINTLE

(AASHTO M 270, Grade 50)

Notes:

All bearing plate material shall be AASHTO M270 Grade 50.

Anchor bolts shall be ASTM F1554 all-thread (or an Engineer-approved alternate material) of the grade(s) and diameter(s) specified. ASTM A307 Grade C anchor bolts may be used in lieu of ASTM F1554 Grade 36 (Fy=36ksi). The corresponding specified grade of AASHTO M314 anchor bolts may be used in lieu of ASTM F1554.

Anchor bolts at fixed bearings may be either cast in place or installed in holes drilled after the supported member is in place.

Drilled and set anchor bolts shall be installed according to Article 521.06 of the Standard Specifications.

Two 3/8 in. adjusting shims shall be provided for each bearing in addition to all other plates or shims and placed as shown on bearing details.

REQUIRED SHIM PLATE TABLE

Girder	Location	Size (in)	Thickness (in)
5	S Abut	9 x 16	13/16
6	S Abut	9 x 16	7/16
5	N Abut	9 x 16	9/16
6	N Abut	9 x 16	15/16

BILL OF MATERIAL

Item	Unit	Total
Anchor Bolts, 1"	Each	40
Anchor Bolts, 1 1/2"	Each	20

DESIGNED	- BHS
CHECKED	- BPS
DRAWN	- RRG
CHECKED	- GSP

BEARING DETAILS

PLANK ROAD OVER
FAI ROUTE 80 (I-80)
SECTION 50-8HBR
LASALLE COUNTY
STATION 3886+74.90
STRUCTURE NO. 050-0249