

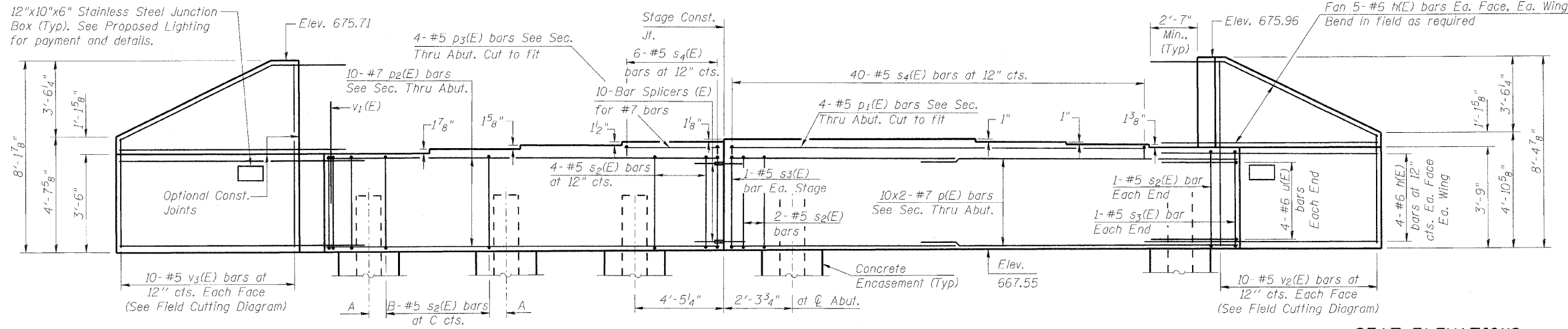
STATE OF ILLINOIS  
DEPARTMENT OF TRANSPORTATION

ROUTE NO.	SECTION	COUNTY	TOTAL SHEETS	SHEET NO.
FAI 80	50-8HBR	LASALLE	143	80
FED. ROAD DIST. NO. 7		ILLINOIS	FED. AID PROJECT	

SHEET NO. 19  
26 SHEETS

Contract # 66645

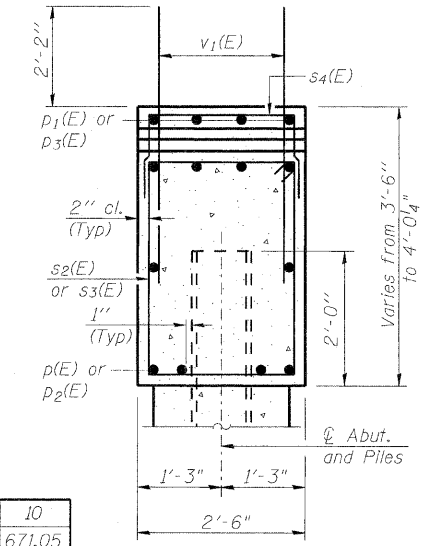
Notes:  
Pour steps monolithically with cap.  
Space reinforcement in cap to miss anchor balls.  
Bars indicated thus 10x2-#7 etc. indicates  
10 lines of bars with 2 lengths per line.



**ELEVATION**  
(Looking South)

**SEAT ELEVATIONS**

Girder	1	2	3	4	5	6	7	8	9	10
Seat Elev.	671.30	671.41	671.49	671.57	671.57	671.57	671.48	671.35	671.21	671.05



**SEC. THRU ABUT.**  
(Dimensions at Rt. L's)

**BILL OF MATERIAL**  
(South Abutment)

Bar	No.	Size	Length	Shape
h(E)	36	#6	12'-6"	—
p(E)	20	#7	26'-2"	—
p1(E)	4	#5	40'-4"	—
p2(E)	10	#7	29'-2"	—
p3(E)	4	#5	6'-11"	—
s2(E)	83	#5	11'-7"	□
s3(E)	4	#5	12'-4"	□
s4(E)	46	#5	6'-6"	□
u(E)	8	#6	7'-6"	┘
v1(E)	149	#5	4'-4"	—
v2(E)	10	#5	12'-8"	—
v3(E)	10	#5	12'-2"	—
Structure Excavation			Cu. Yd.	206
Concrete Structures			Cu. Yd.	32.3
Porous Granular Embankment (Special)			Cu. Yd.	140
Geocomposite Wall Drain			Sq. Yd.	76
Pipe Underdrains for Structures 4"			Foot	92
Reinforcement Bars, Epoxy Coated			Pound	4930
Furnishing Steel Piles HP 10x42			Foot	728
Driving Piles			Foot	728
Test Pile Steel HP 10x42			Each	1
Concrete Encasement			Cu. Yd.	5.2

**s2(E) BAR SPACING**

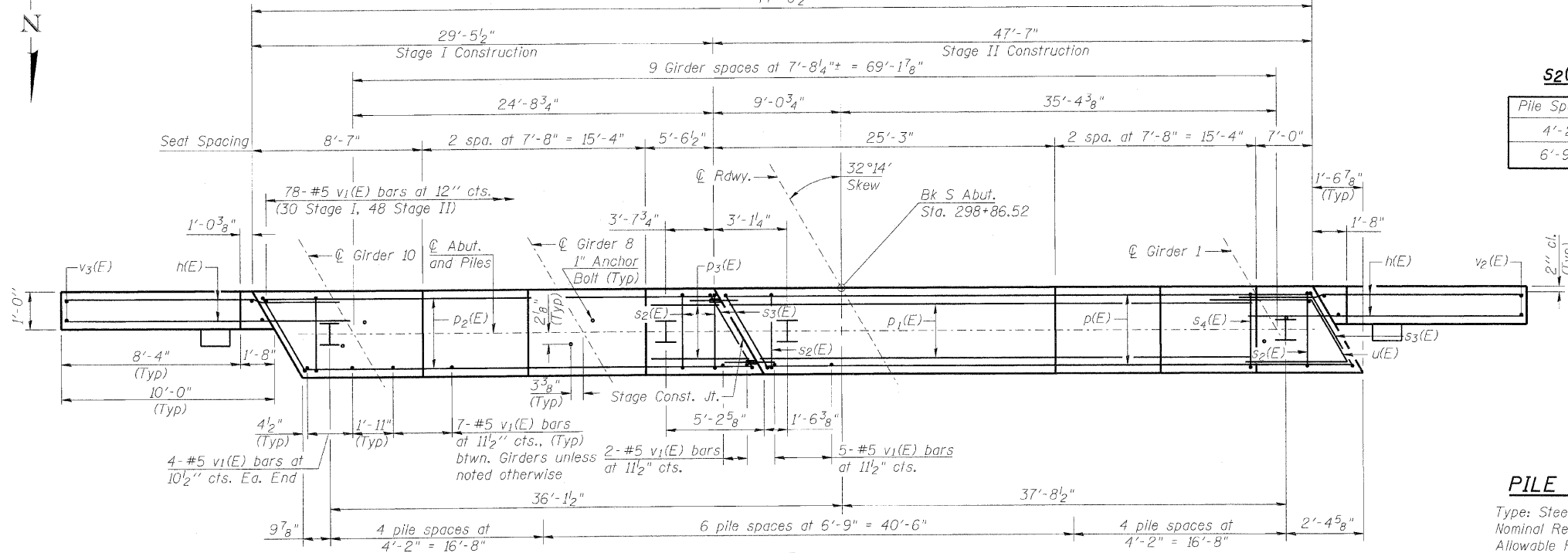
Pile Spacing	A	B	C
4'-2"	7"	5	9"
6'-9"	7 1/2"	7	11"

**MINIMUM BAR LAP**

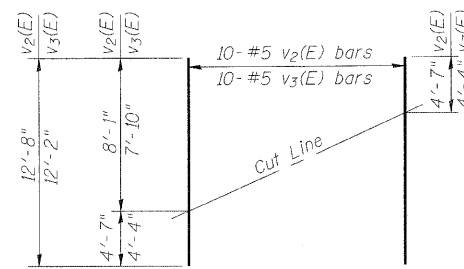
#5 bar = 2'-2"  
#6 bar = 2'-7"  
#7 bar = 4'-10"

**PILE DATA**

Type: Steel HP10x42  
Nominal Required Bearing: 300 kips  
Allowable Resistance Available: 100 kips  
Est. Length: 52 Ft.  
No. Production Piles: 14  
No. Test Piles: 1

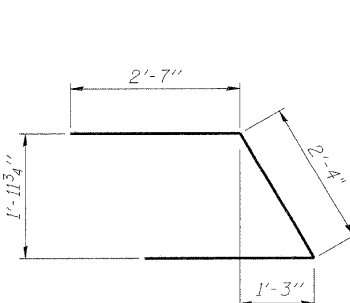


**PLAN**

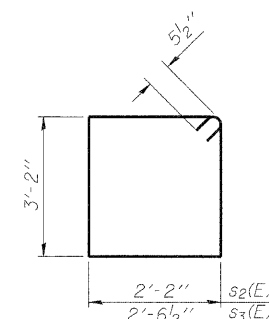


**FIELD CUTTING DIAGRAM**

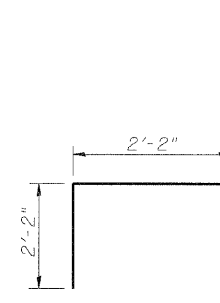
Order v2(E) and v3(E) full length. Cut as shown and use remainder of bars in opposite face.



**BAR u(E)**



**BARS s2(E) & s3(E)**



**BAR s4(E)**

For details of Bar Splicers, see Sheet No. 22.  
For details of Piles and Concrete Encasement, see Sheet No. 23.  
For details of Integral Abutment Bearing, see Sheet No. 18.  
For drainage details, see Section Thru Integral Abutment on Sheet No. 2.

**SOUTH ABUTMENT**

PLANK ROAD OVER  
FAI ROUTE 80 (I-80)  
SECTION 50-8HBR  
LASALLE COUNTY  
STATION 3886+74.90  
STRUCTURE NO. 050-0249

DESIGNED	ADB
CHECKED	DLS
DRAWN	ADB
CHECKED	MTH

PLOT DATE = 2/21/2018  
FILE NAME = g:\p\proj\20640851\061\cadd\PLR\_A05.dwg  
PLOT SCALE = N/A  
USER NAME = zhangrb