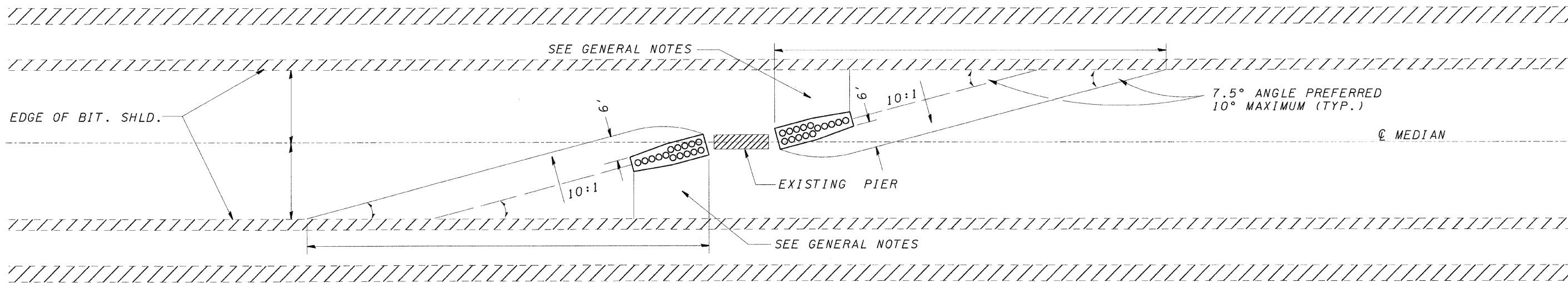


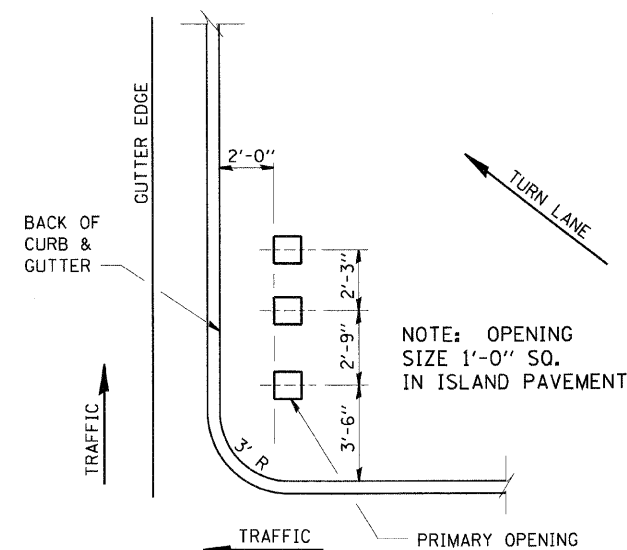
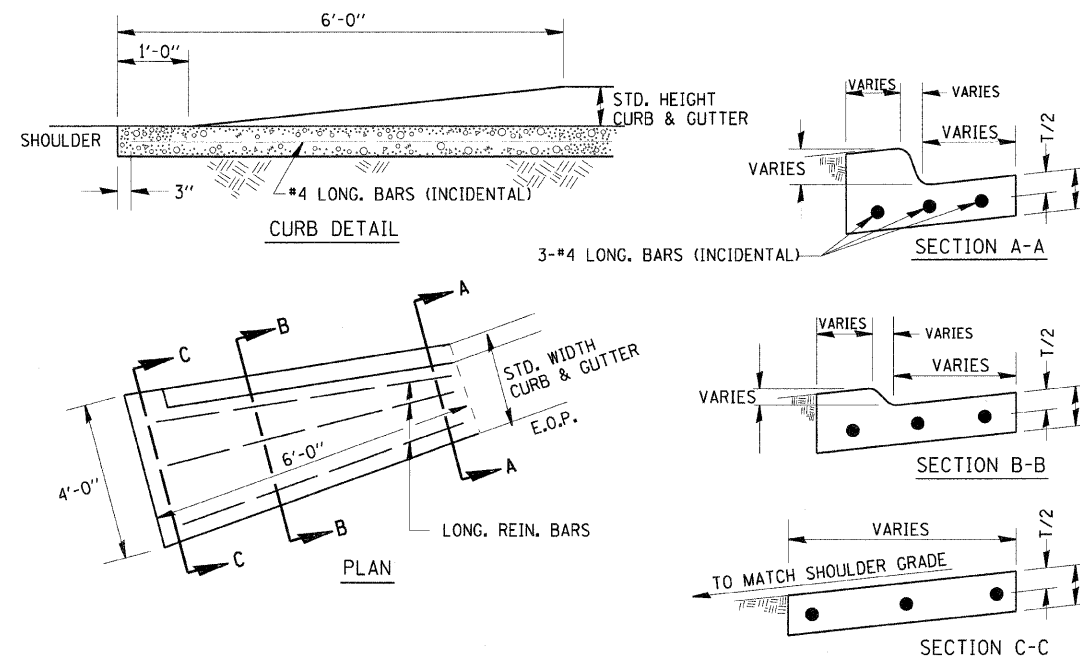
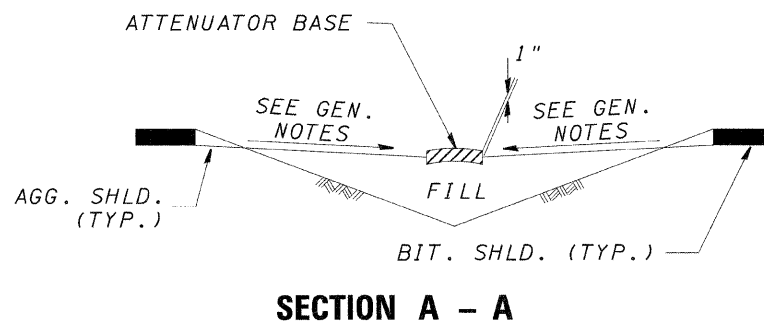
F.A.U. RTE.	SECTION	COUNTY	TOTAL SHEETS	SHEET NO.
I-80	50-8 HBR	LASALLE	143	105
STA.	TO STA.			
FED. ROAD DIST. NO. 3 ILLINOIS		FED. AID PROJECT		

**GENERAL NOTES**

1. THE 10:1 SLOPE CONTROLS NOSE OF ATTENUATOR BASE ELEVATION.
2. ATTENUATOR BASE GRADE PARALLELS EDGE OF PAVEMENT GRADE.
3. SLOPE ADJACENT TO ATTENUATOR BASE SHALL BE 10:1 OR FLATTER.



**INERTIAL BARRIER LAYOUT AND GRADING PLAN**



**ISLAND SIGN POST SPACING DETAIL**

NOTE: THE ENGINEER SHALL DETERMINE THE NUMBER OF OPENINGS REQUIRED.

606-2

**CURB & GUTTER OUTLET, SPECIAL**

606-8

REVISIONS	
NAME	DATE

ILLINOIS DEPARTMENT OF TRANSPORTATION  
FAI ROUTE 80 UNDER FAU 6097 (PLANK ROAD)

DISTRICT 3 DETAILS

SCALE: VERT. NONE  
HORIZ. N.T.S.  
DATE: 12/02/09

DRAWN BY ENTRAN/CAD  
CHECKED BY TMH

PLOT DATE = 2/4/2010  
 FILE NAME = g:\projects\12054085\_001\cadd\pl\_deta104.dwg  
 PLOT SCALE = 50.0000  
 USER NAME = zbrund