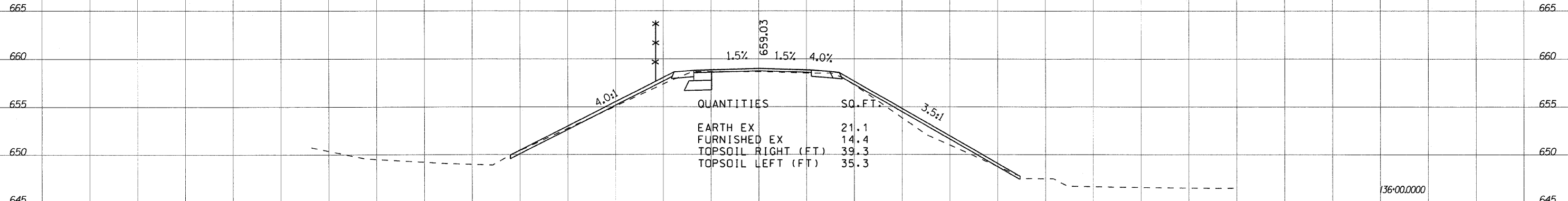
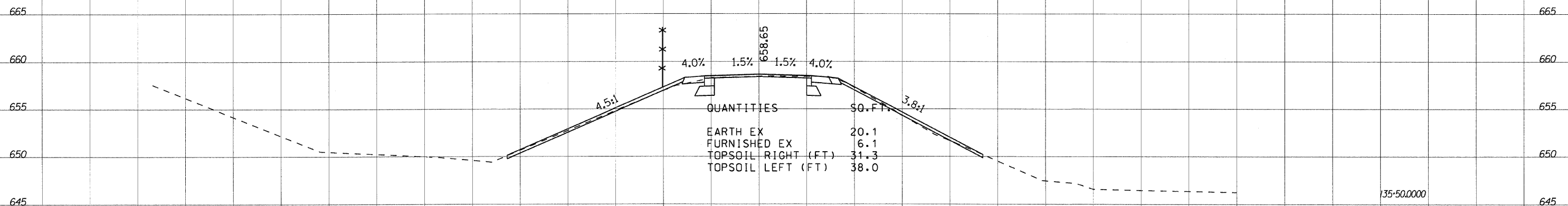


2975TH ROAD

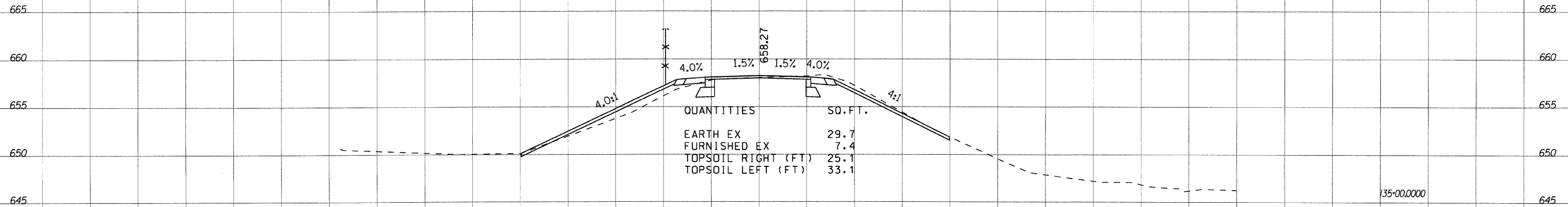
140 130 120 110 100 90 80 70 60 50 40 30 20 10 0 10 20 30 40 50 60 70 80 90 100 110 120 130



136+00.0000



135+50.0000



135+00.0000

140 130 120 110 100 90 80 70 60 50 40 30 20 10 0 10 20 30 40 50 60 70 80 90 100 110 120 130

DATE
 BY
 SURVEYED
 PLOTTED
 DATE
 NO. 2975TH RD
 AREAS CHECKED

DATE
 BY
 SURVEYED
 PLOTTED
 DATE
 NO. 2975TH RD
 AREAS CHECKED

DATE = 2/1/2010
 FILE NAME = 2975TH RD
 PLOT SCALE = 10.0000 / IN.
 USER NAME = 2975rd