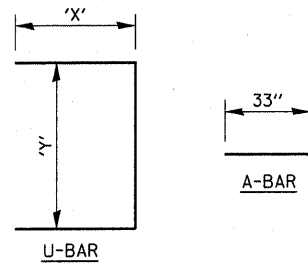


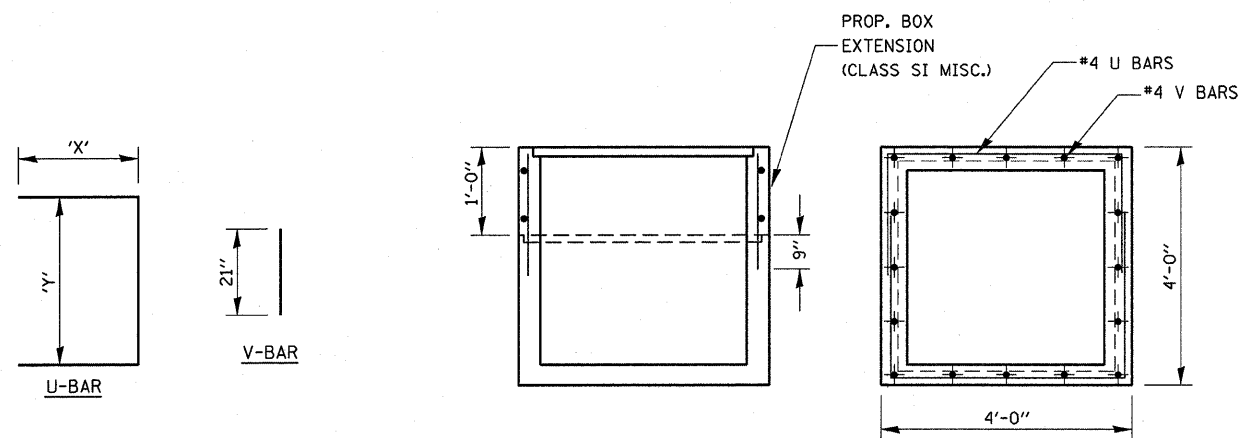
EXPANSION BOLTS SHALL CONSIST OF SELF DRILLING EXPANSION SHIELDS AND 3/4" DIA. HOOKED BOLTS. HOOKED BOLTS SHALL EXTEND A MINIMUM OF 9" INTO NEW CONCRETE. BOLTS SHALL BE DRILLED IN THE CENTER OF THE EXISTING BOX CULVERT BARREL WALLS. MINIMUM CERTIFIED PROOF LOAD = 4,080 LBS.

THE EXISTING STRUCTURE & PIPE CULVERT ARE TO BE CLEANED. THE COST OF THIS WORK IS TO BE INCLUDED IN THE PRICE PER CU. YD. FOR CLASS SI CONCRETE (MISCELLANEOUS).



LOCATION	PIPE DIMENSION	PIPE AREA	EXTENSION COLLAR		A-BAR	U-BAR		CLASS SI CONC. (MISC.)	REINFORCEMENT BARS	EXPANSION BOLTS 3/4 INCH	PIPE CULVERT CL. A TY. 1 24"
			WIDTH	HEIGHT		"X"	"Y"				
			IN.	IN.		IN.	IN.				
885+75 EB MED.	24	4.9	42	42	33	26	36	0.8	47	12	2
914+75 EB MED.	24	4.9	42	42	33	26	36	0.8	47	12	2
924+75 EB MED.	24	4.9	42	42	33	26	36	0.8	47	12	2

COLLAR DETAIL (R.C.C.P. EXTENSION OF PRECAST END SECTION)



LOCATION	EXISTING BOX SIZE	BOX EXTENSION DIMENSIONS			V-BAR	U-BAR		CLASS SI CONC. (MISC.)	REINFORCEMENT BARS	
		LENGTH	WIDTH	HEIGHT		305	"X"			"Y"
		IN.	IN.	IN.		IN.	IN.			IN.
892+80	4' x 4'	48	48	12	21	36	42	0.3	45	
883+25	4' x 4'	48	48	12	21	36	42	0.3	45	

THE EXISTING INLET BOXES ARE TO BE CLEANED AND THIS WORK WILL BE INCLUDED IN THE PRICE PER CU. YD. FOR CLASS SI CONCRETE (MISCELLANEOUS).

V-BARS SHALL EXTEND A MINIMUM OF 9" INTO EXISTING BOX SECTION. BARS TO BE DRILLED AND EPOXY GROUTED IN CENTER OF EXISTING BOX WALLS. ACCORDING TO SECTION 584 OF THE STANDARD SPECIFICATIONS. EXISTING GRATE TO BE REUSED.

FLUSH INLET BOX RECONSTRUCTION