

V BAR & H BAR SHALL EXTEND 5" INTO THE EXISTING INLET BOX WITH THE BARS BEING DRILLED & EPOXY GROUTED ACCORDING TO SECTION 584 OF THE STANDARD SPECIFICATIONS.

BOTTOM GRATE SECTION TO BECOME PROPERTY OF THE STATE OF ILLINOIS TO BE TAKEN TO THE OTTAWA MAINTENANCE YARD.

THE EXISTING INLET BOX IS TO BE CLEANED OUT AND THIS WORK WILL BE INCLUDED IN THE PRICE PER CU. YD. FOR CLASS SI CONCRETE (MISC.).

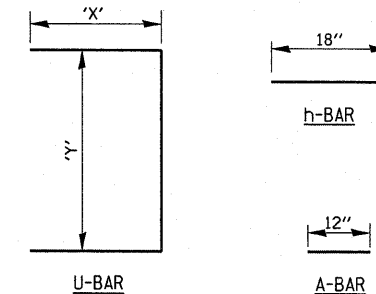
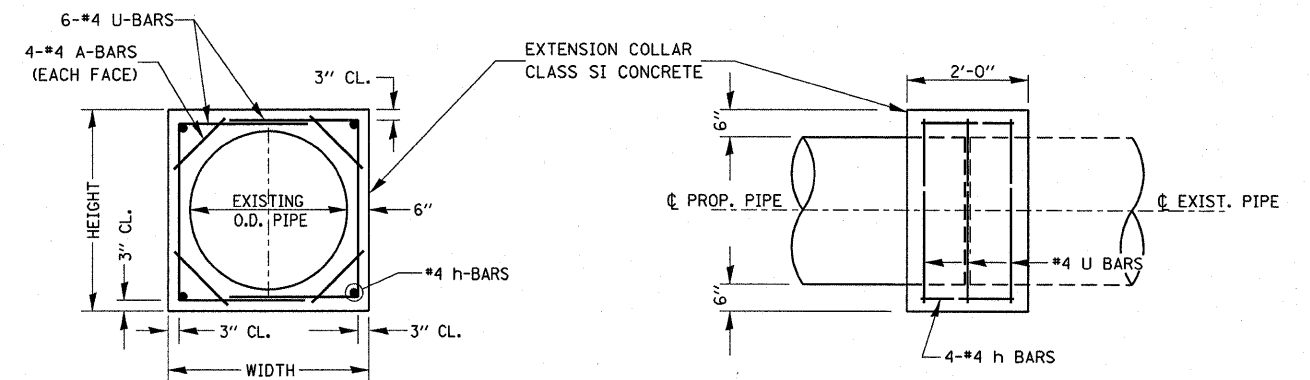
IN ORDER FOR THE ADJUSTED STRUCTURE TO DRAIN PROPERLY IT WILL BE NECESSARY TO FILL IN A SECTION OF THE EXISTING DITCH. THIS WORK WILL BE PAID FOR SEPERATELY UNDER THE FURNISHED AND EARTH EXCAVATION PAY ITEMS WHICH ARE INCLUDED ELSEWHERE IN THE PLANS.

MATERIAL REQUIRED FOR ONE INLET BOX ADJ.

BAR	QUANTITY	SIZE	LENGTH
h	4	NO. 4	2'-5"
v	3	NO. 4	1'-2"
CONCRETE		CU. YD.	0.1
REINF. BARS		LBS.	10

INLET BOX ADJUSTMENT

STA. 867+60 MEDIAN
STA. 847+75 MEDIAN



LOCATION	EXISTING CULVERT SIZE	EXTENSION COLLAR		A-BAR		U-BAR		h-BAR	CONC. COLLAR	REINFORCEMENT BARS
		WIDTH	HEIGHT	12	"X"	"Y"	18			
		IN.	IN.	IN.	IN.	IN.	IN.			
974+00 W	15	29.5	29.5	12	23	25.5	18	0.4	34	
974+00 E	15	29.5	29.5	12	23	25.5	18	0.4	34	
1096+00	15	29.5	29.5	12	23	25.5	18	0.4	34	
1109+50	15	29.5	29.5	12	23	25.5	18	0.4	34	
786+35	15	29.5	29.5	12	23	25.5	18	0.4	34	

COLLAR DETAIL (DIRECT PIPE CULVERT EXTENSION)