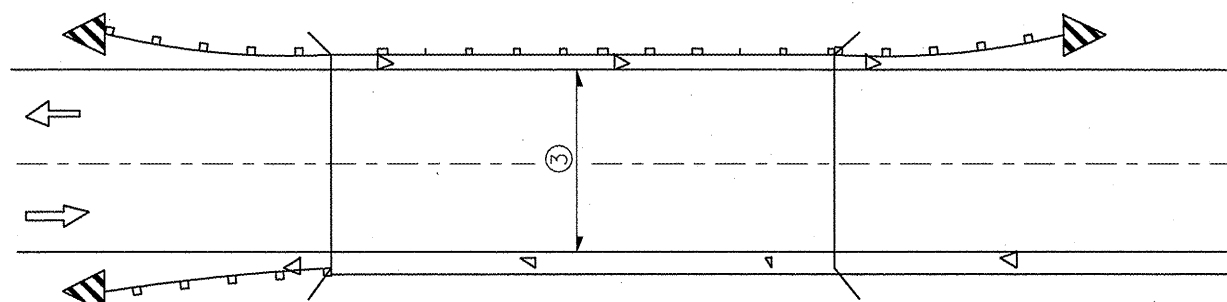


① Spacing 80 ft max. for first 400 ft or curve spacing shown in Standard 635001, whichever is less (min. 4 reflectors regardless of length).

② After 400 ft, transition to normal delineator spacing shown in Standard 635001, and continue as required.

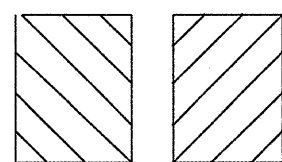
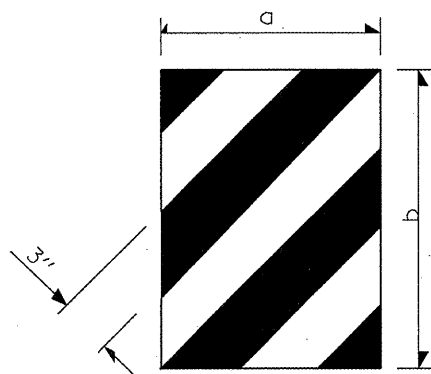
ONE-WAY TRAFFIC



③ Bidirectional silver/silver should be used in lieu of monodirectional silver on both sides of two-lane bridges where the pavement is less than 24" wider than the pavement approaching the bridge.

- ◁ Monodirectional silver
- ▷ Monodirectional amber
- ▴ Terminal Marker - Black/Yellow Left or Right as appropriate

TWO-WAY TRAFFIC

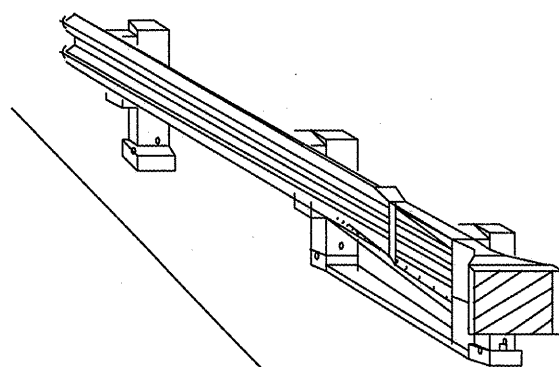


| DIMENSION | CASE I | CASE II |
|-----------|--------|----------|
| a | * | 450 (18) |
| b | * | 406 (16) |

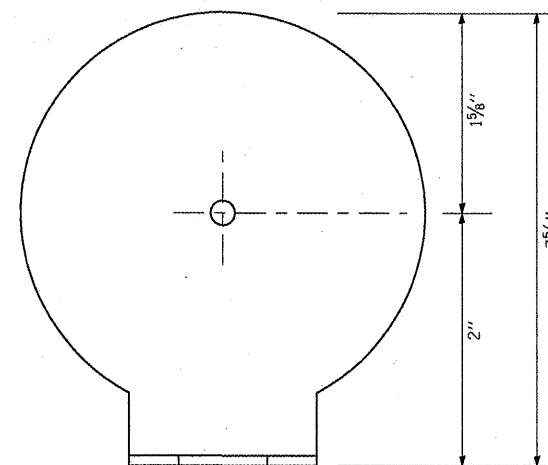
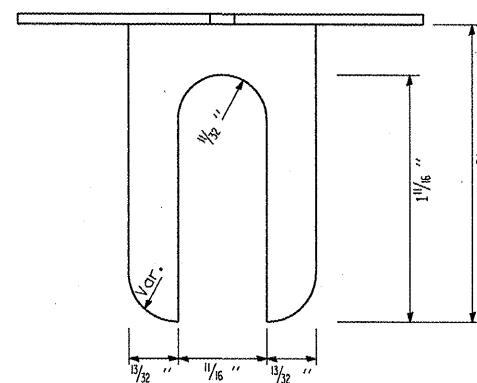
* The width and height (a, b) of the terminal marker shall be within approximately 25 mm (1 inch) of the outer edge of the terminal end, with a minimum reflective area of 0.18 m² (288 sq. in.)

TERMINAL MARKER DETAILS

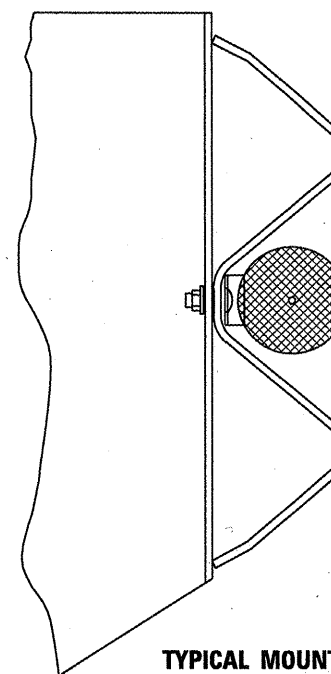
Color: Black / Yellow reflectorized



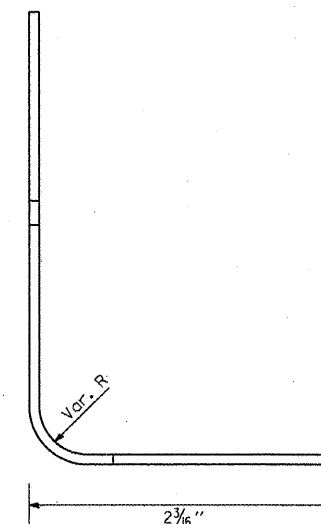
REFLECTOR AND TERMINAL MARKER PLACEMENT



REFLECTOR MARKER TYPE A



TYPICAL MOUNTING WITH REFLECTOR



NOTES:

1. BRACKET IS TO BE FABRICATED FROM 12 GA. (MIN) STEEL GALVANIZED IN ACCORDANCE WITH AASHTO M III.
2. MIN. 3 REFLECTORS PER SIDE.
3. BRACKET "FOOT" SHALL BE PLACED BETWEEN THE BOLT HEAD AND THE PLATE WASHER (IF PRESENT).
4. ON THRIE BEAM RAIL, THE BRACKETS SHALL BE ATTACHED TO THE UPPER SPLICE BOLTS.
5. USE CRYSTAL COLOR, BI-DIRECTIONAL REFLECTORS USE AMBER (LEFT) AND CRYSTAL (RIGHT), MONODIRECTIONAL REFLECTORS ON INTERSTATES
6. ALL DIMENSIONS SHOWN ARE MINIMUM

REFLECTOR DETAIL

• D-3 HIGHWAY DAMAGE REPAIR 2010

| | | | |
|--|------------------------|------------|-----------|
| FILE NAME = | USER NAME = schwankerg | DESIGNED - | REVISED - |
| cr:\pwork\PIWIDOT\SCHWANKERG\d0184951\366A25-sht-details.dgn | | DRAWN - | REVISED - |
| PLOT SCALE = 100.0000' / IN. | | CHECKED - | REVISED - |
| PLOT DATE = Feb 17, 2010 - 03:38:03 PM | | DATE - | REVISED - |

STATE OF ILLINOIS
DEPARTMENT OF TRANSPORTATION

| | | | |
|--|-----------|-----------|--------------|
| REFLECTOR AND TERMINAL MARKER PLACEMENT DETAIL | | | |
| SCALE: | SHEET NO. | OF SHEETS | STA. TO STA. |

| | | | | |
|---------------------------|---------|--------|--------------|-----------|
| F.A. RTE. | SECTION | COUNTY | TOTAL SHEETS | SHEET NO. |
| VAR. | | VAR. | 36 | 6 |
| CONTRACT NO. 66A25 | | | | |
| ILLINOIS FED. AID PROJECT | | | | |