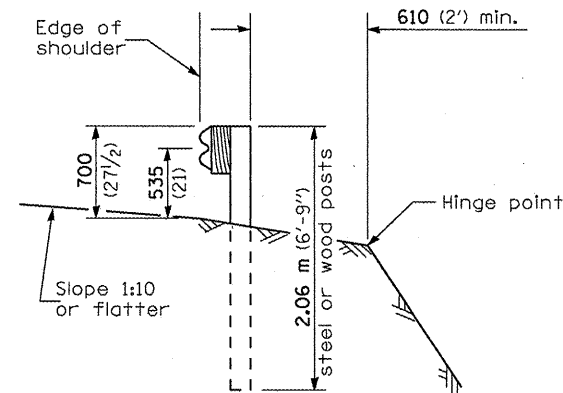
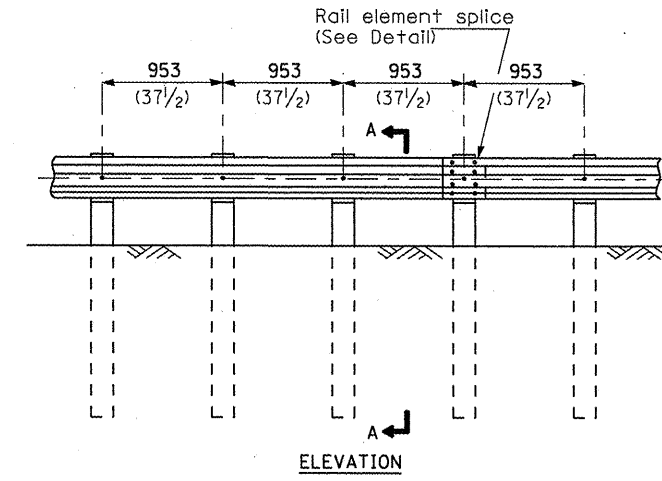


TYPE A

1.905 m (6'-3") Typical post spacing

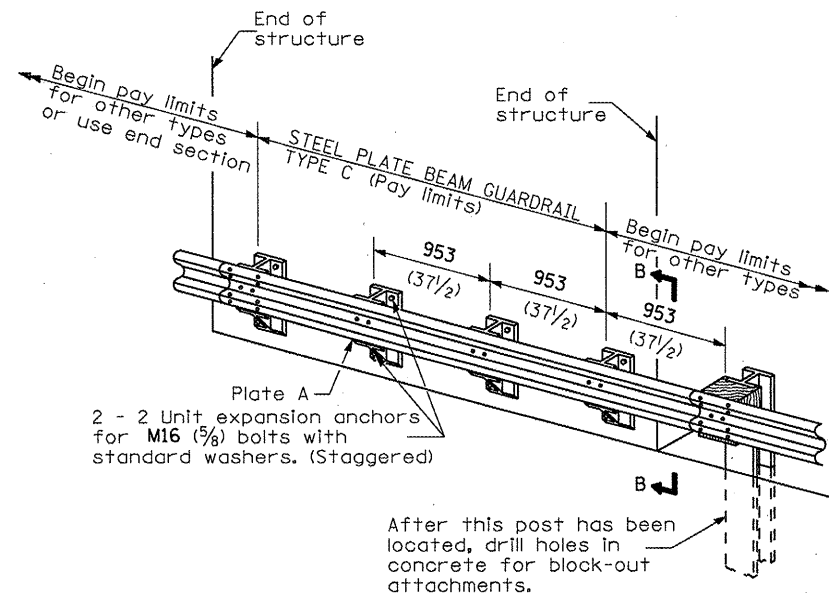


SECTION A-A



TYPE B

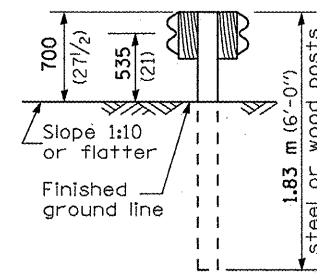
953 (37 1/2) Closed post spacing



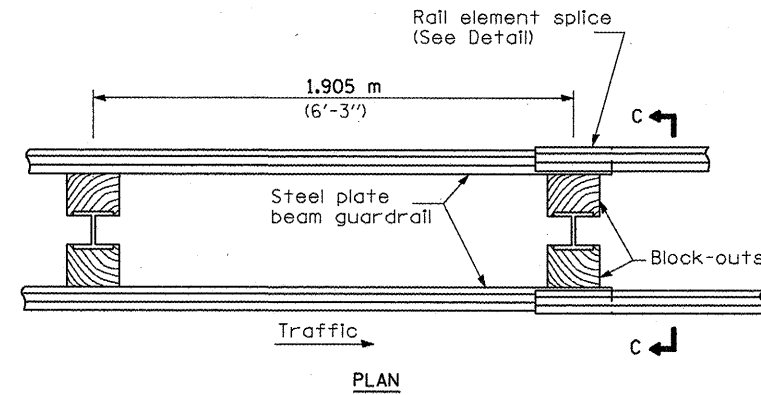
TYPE C

953 (37 1/2) Block-out spacing

After this post has been located, drill holes in concrete for block-out attachments.

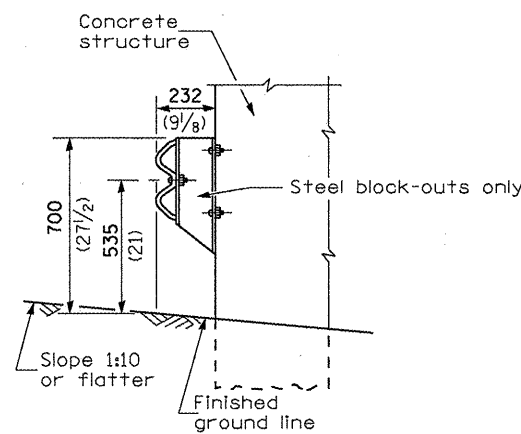


SECTION C-C



TYPE D

Double steel plate beam guardrail
1.905 m (6'-3") typical post spacing



SECTION B-B

GENERAL NOTES

All slope ratios are expressed as units of vertical displacement to units of horizontal displacement (V:H).

All dimensions are in millimeters (Inches) unless otherwise shown.

• D-3 HIGHWAY DAMAGE REPAIR 2010

FILE NAME =	USER NAME = schwanke	DESIGNED -	REVISED -
ct:\pwork\pwidot\schwanke\d0184951\66625-sht-details.dgn		DRAWN -	REVISED -
PLOT SCALE = 100.0000 "/ IN.		CHECKED -	REVISED -
PLOT DATE = Feb 17, 2010 - 03:51:42 PM		DATE -	REVISED -

**STATE OF ILLINOIS
DEPARTMENT OF TRANSPORTATION**

**PRE-MGS EFFECTIVE 4-1-06
STEEL PLATE BEAM GUARDRAIL
STANDARD 630001-06**

(Sheet 1 of 4)

SCALE: SHEET NO. OF SHEETS STA. TO STA.

F.A. RTE.	SECTION	COUNTY	TOTAL SHEETS	SHEET NO.
VAR.	*	VAR.	36	16
FED. ROAD DIST. NO. ILLINOIS FED. AID PROJECT			CONTRACT NO. 66A25	