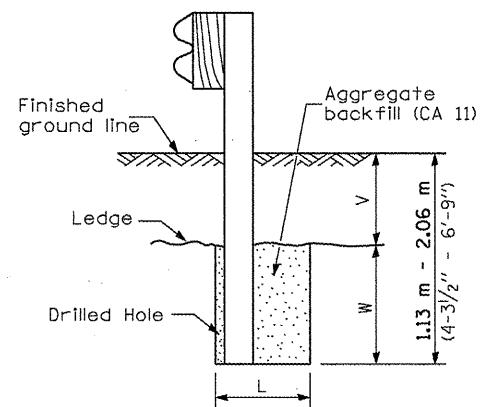


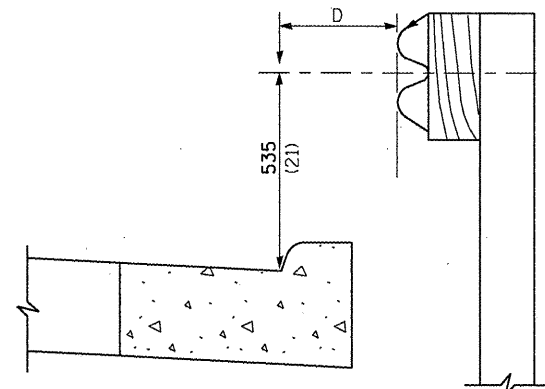
PLAN



Note:
Ledge line is top of rock ledge or hard slag fill.

ELEVATION

FOOTING FOR POST WHEN IMPERVIOUS MATERIAL IS ENCOUNTERED

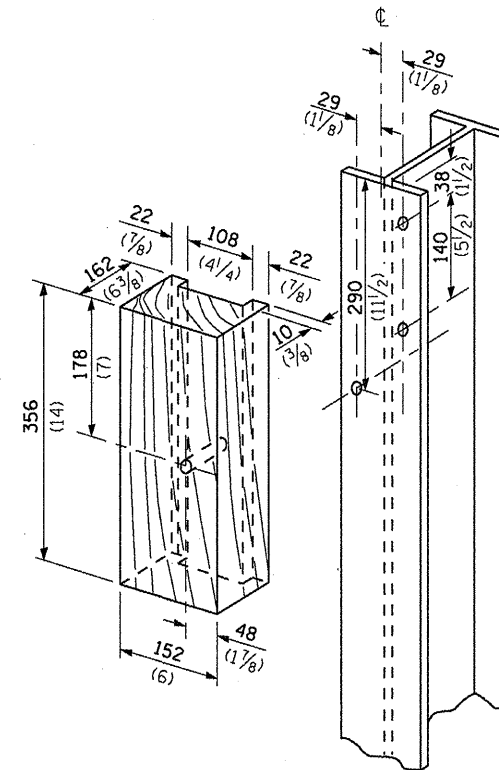


Note:
If it is necessary for D to be more than 300 (12) and less than 3.0 m (10'-0") type M-5 (M-2) curb and gutter (Std. 606001) shall be used in front of and in advance of the guardrail.

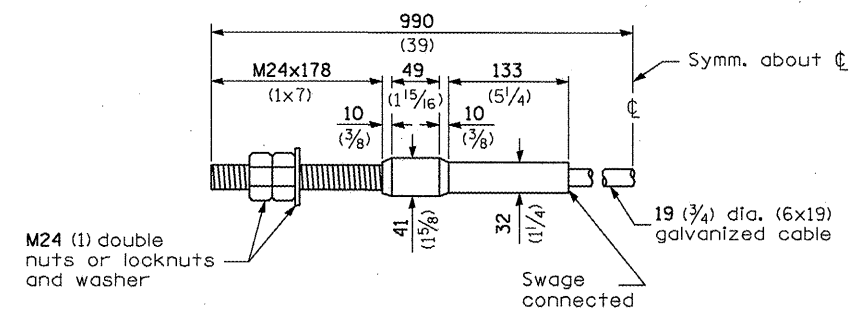
GUARDRAIL PLACED BEHIND CURB

(D = 0 desirable to 300 (12) maximum)

V	W	L	
		Steel Post	Wood Post
0 - 460 (0 - 18)	610 (24)	530 (21)	580 (23)
>460 - 825 (>18 - 41.5)	305 (12)	203 (8)	250 (10)
>825 - 1.13 m (>41.5 - 53.5)	305 - 0 (12 - 0)	203 (8)	250 (10)



WOOD BLOCK-OUT AND STEEL POST DETAILS



CABLE ASSEMBLY

(18,100 kg (40,000 lbs.) min. breaking strength)
Tighten to fault tension.

FILE NAME =	USER NAME = schwankeg	DESIGNED -	REVISED -
ca:\pwork\pwidot\schwankerg\d0184951\366A25-sht-details.dgn		DRAWN -	REVISED -
PLOT SCALE = 100.0000 ' / IN.		CHECKED -	REVISED -
PLOT DATE = Feb 17, 2010 - 03:52:07 PM		DATE -	REVISED -

**STATE OF ILLINOIS
DEPARTMENT OF TRANSPORTATION**

**PRE-MGS EFFECTIVE 4-1-06
STEEL PLATE BEAM GUARDRAIL
STANDARD 630001-06**

(Sheet 4 of 4)

SCALE: SHEET NO. OF SHEETS STA. TO STA.

F.A. RTE.	SECTION	COUNTY	TOTAL SHEETS	SHEET NO.
VAR.	*	VAR.	36	19
FED. ROAD DIST. NO.			ILLINOIS FED. AID PROJECT	
			CONTRACT NO. 66A25	