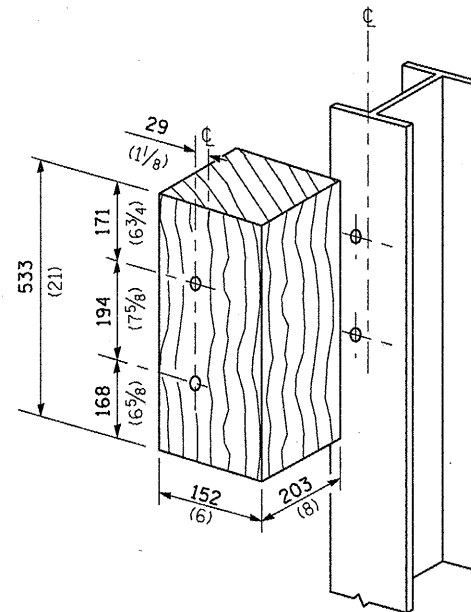
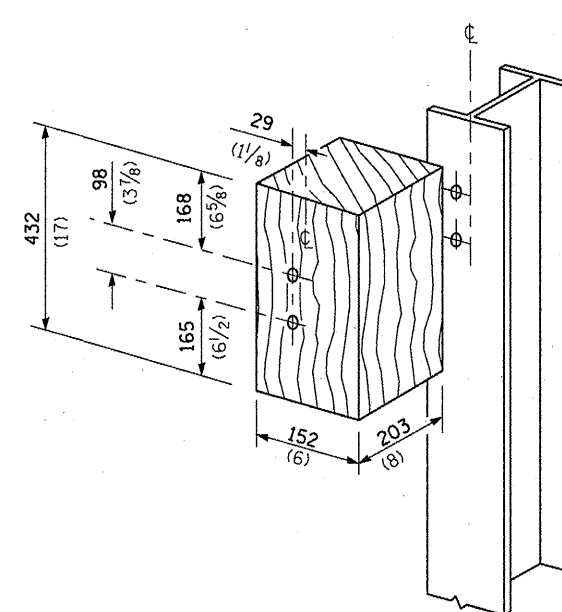


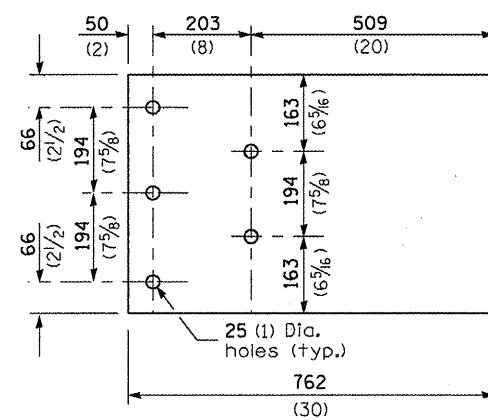
THRIE BEAM END SHOE DETAIL



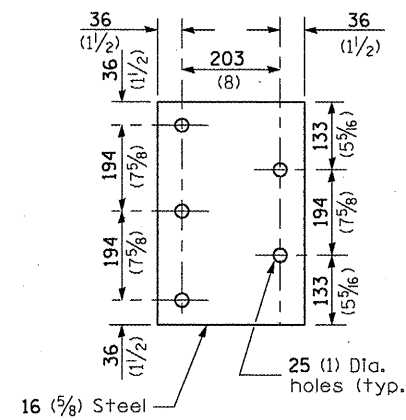
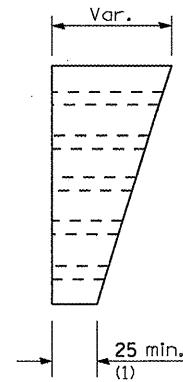
POSTS 1-11 WOOD BLOCKOUT DETAIL



POST 12 WOOD BLOCKOUT DETAIL



PARAPET WOOD BLOCK-OUT DETAIL



PARAPET STEEL BEARING PLATE DETAIL

(5 each individual 125x125x16 (5x5x5/8) steel plates with centered 25 (1) holes may be substituted for the plate shown.)

FILE NAME =	USER NAME = schwanckerg	DESIGNED -	REVISED -
ct:\pwork\pwwid\SCHWANKERG\0184951\366A25-sht-details.dgn		DRAWN -	REVISED -
PLOT SCALE = 100.0000' / IN.		CHECKED -	REVISED -
PLOT DATE = Feb 17, 2010 - 03:53:21 PM		DATE -	REVISED -

**STATE OF ILLINOIS
DEPARTMENT OF TRANSPORTATION**

PRE-MGS EFFECTIVE 4-1-06 TRAFFIC BARRIER TERMINAL, TYPE 6 STANDARD 631031-05			
SCALE:	SHEET NO.	OF SHEETS	STA. TO STA.
			Sheet 3 of 3

F.A. RTE.	SECTION	COUNTY	TOTAL SHEETS	SHEET NO.
VAR.	*	VAR.	36	28
CONTRACT NO. 66A25				
FED. ROAD DIST. NO. ILLINOIS FED. AID PROJECT				

• D-3 HIGHWAY DAMAGE REPAIR 2010