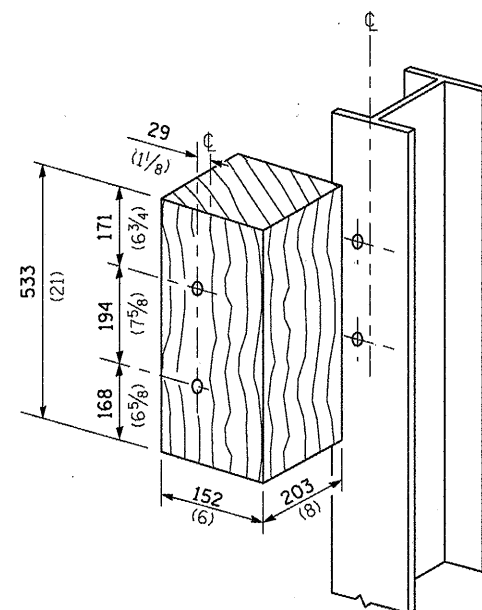
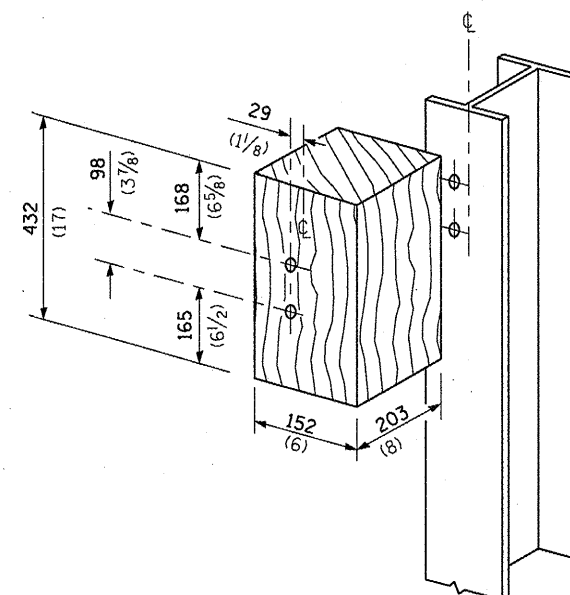


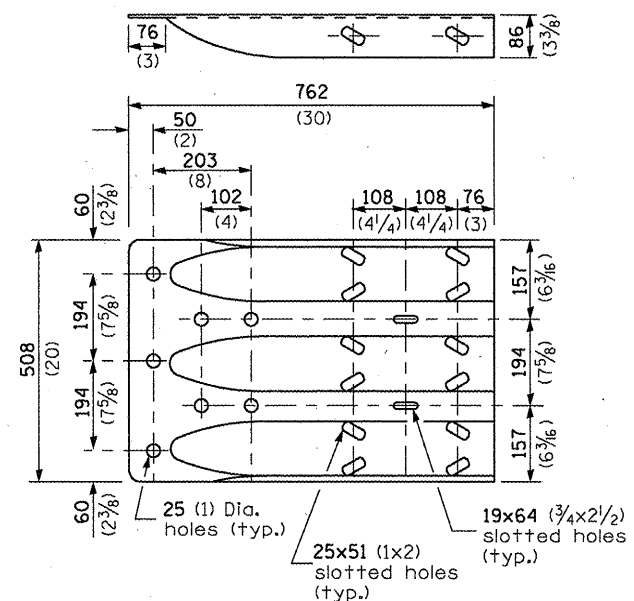
SECTION C-C



POSTS 1-11 WOOD BLOCKOUT DETAIL



POST 12 WOOD BLOCKOUT DETAIL



MODIFIED THRIE BEAM END SHOE DETAIL

• D-3 HIGHWAY DAMAGE REPAIR 2010

FILE NAME =	USER NAME = schwankerg	DESIGNED -	REVISED -
c:\pwwork\pwidot\schwankerg\d0184951\366A25-sht-details.dgn		DRAWN -	REVISED -
PLOT SCALE = 100.0000' / IN.		CHECKED -	REVISED -
PLOT DATE = Feb 17, 2010 - 03:53:37 PM		DATE -	REVISED -

STATE OF ILLINOIS
DEPARTMENT OF TRANSPORTATION

PRE-MGS EFFECTIVE 4-1-06
TRAFFIC BARRIER TERMINAL, TYPE 6A
STANDARD 631032-02

SCALE: SHEET NO. OF SHEETS STA. TO STA. Sheet 2 of 3

F.A. RTE.	SECTION	COUNTY	TOTAL SHEETS	SHEET NO.
VAR.	.	VAR.	36	30
FED. ROAD DIST. NO.			CONTRACT NO. 66A25	
ILLINOIS FED. AID PROJECT				