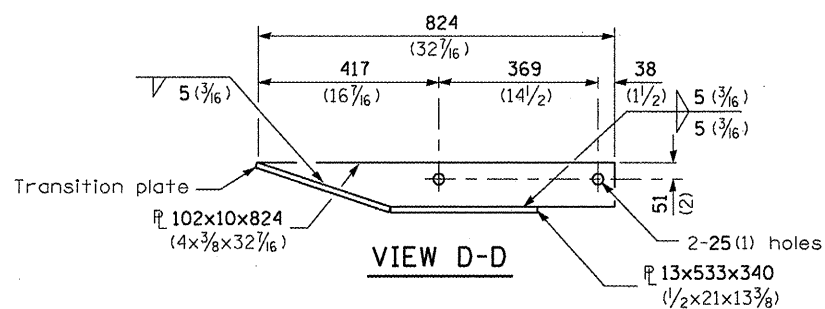
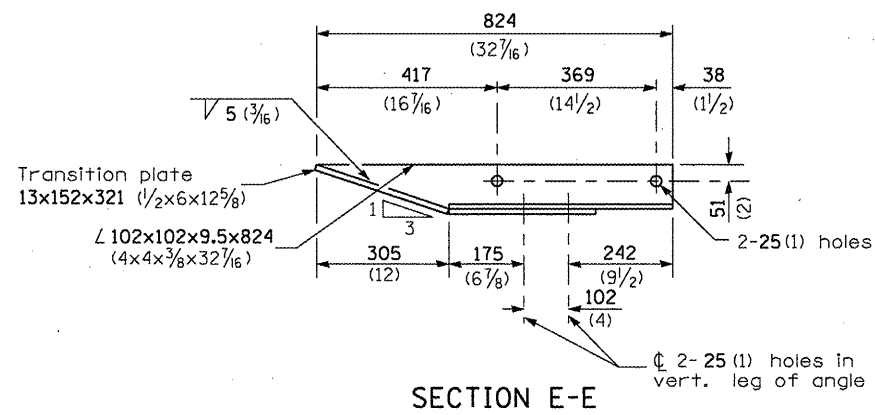


GUARDRAIL CONNECTION PLATE ASSEMBLY DETAILS

(Mirror for opposite end)



VIEW D-D

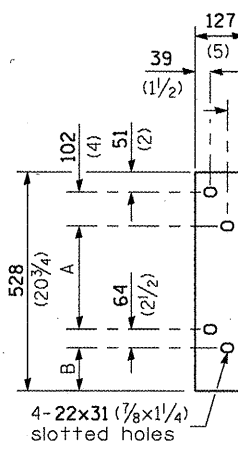


SECTION E-E

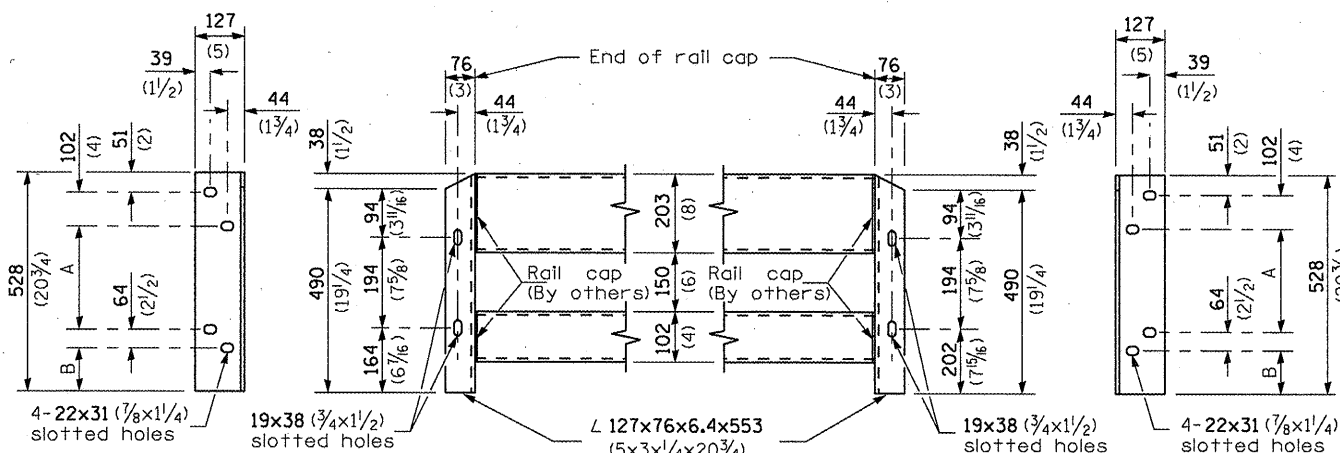
- 4-25 (1) holes for 22 (7/8) H.S. bolts and nuts
- Drill and tap 3 holes for 22 (7/8) H.S. bolts.

LEGEND

Dimensions	A	B
For Curb Mounted Rail	222 (8 3/4)	89 (3 1/2)
For Side Mounted Rail	247 (9 3/4)	64 (2 1/2)

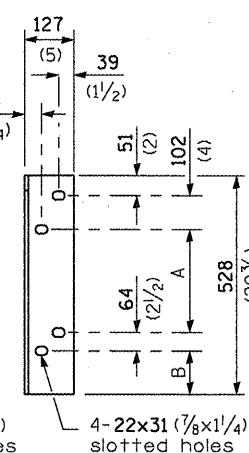


DEPARTURE END VIEW



CONNECTION ANGLES

(Install angles to rail caps using 19 (5/8) washers and self-locking nuts or nuts and jam nuts, to be provided by others)



APPROACH END VIEW

• D-3 HIGHWAY DAMAGE REPAIR 2010

FILE NAME =	USER NAME = schwankerg	DESIGNED -	REVISED -
ca:\p\work\PIWIDOT\SCHWANKERG\d0164951\368A25-sht-details.dgn		DRAWN -	REVISED -
PLOT SCALE = 100.0000 ' / IN.		CHECKED -	REVISED -
PLOT DATE = Feb 17, 2010 - 03:53:45 PM		DATE -	REVISED -

**STATE OF ILLINOIS
DEPARTMENT OF TRANSPORTATION**

**PRE-MGS EFFECTIVE 4-1-06
TRAFFIC BARRIER TERMINAL, TYPE 6A
STANDARD 631032-02**

SCALE: SHEET NO. OF SHEETS STA. TO STA. Sheet 3 of 3

F.A. RTE.	SECTION	COUNTY	TOTAL SHEETS	SHEET NO.
VAR.	*	VAR.	36	31
CONTRACT NO. 66A25			ILLINOIS FED. AID PROJECT	