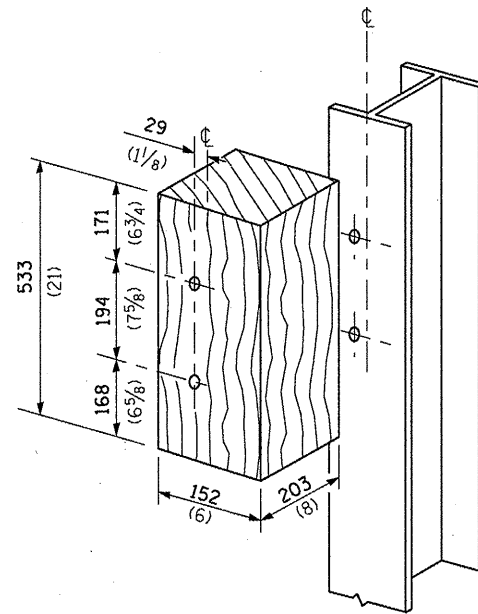
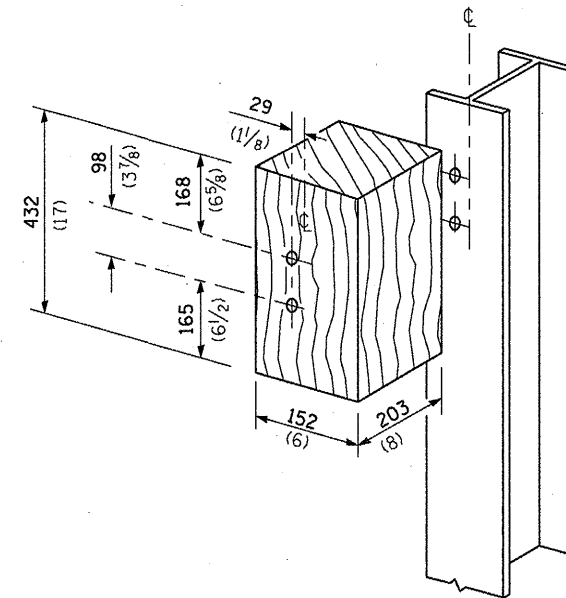


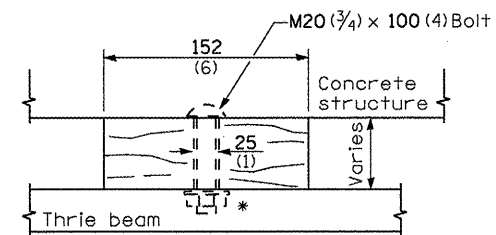
MODIFIED THICKNESS WOOD BLOCKOUT DETAIL



POSTS 1-11 WOOD BLOCKOUT DETAIL

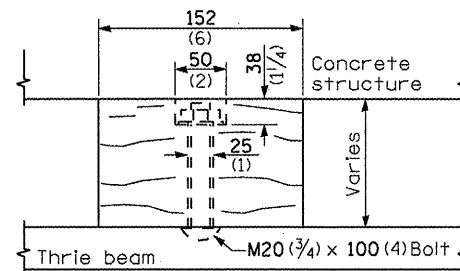


POST 12 WOOD BLOCKOUT DETAIL

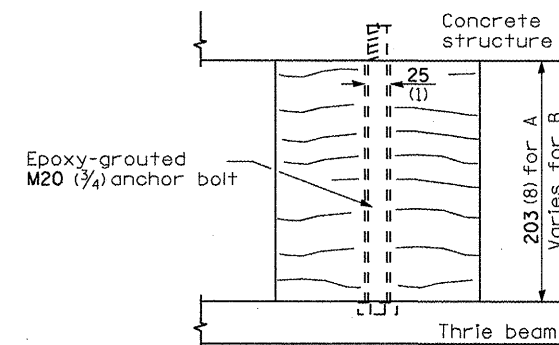


WOOD BLOCKOUT D

Bolt to thrie beam with M20 (3/4) by 100 (4) bolt, washer & nut. Reverse direction of insertion. *



WOOD BLOCKOUT C



WOOD BLOCKOUT A & B

FILE NAME =	USER NAME = schwankerg	DESIGNED -	REVISED -
ca:\pwork\pww\DOT\SCHWANKERG\j0104951\66625-sht-details.dgn		DRAWN -	REVISED -
PLOT SCALE = 100.0000 ' / IN.		CHECKED -	REVISED -
PLOT DATE = Feb 17, 2010 - 03:54:00 PM		DATE -	REVISED -

STATE OF ILLINOIS
DEPARTMENT OF TRANSPORTATION

PRE-MGS EFFECTIVE 4-1-06
TRAFFIC BARRIER TERMINAL, TYPE 6B
STANDARD 631033-01

F.A. RTE.	SECTION	COUNTY	TOTAL SHEETS	SHEET NO.
VAR.	*	VAR.	36	33
FED. ROAD DIST. NO.			ILLINOIS FED. AID PROJECT	
			CONTRACT NO. 66A25	

• D-3 HIGHWAY DAMAGE REPAIR 2010

SCALE: SHEET NO. OF SHEETS STA. TO STA. Sheet 2 of 2