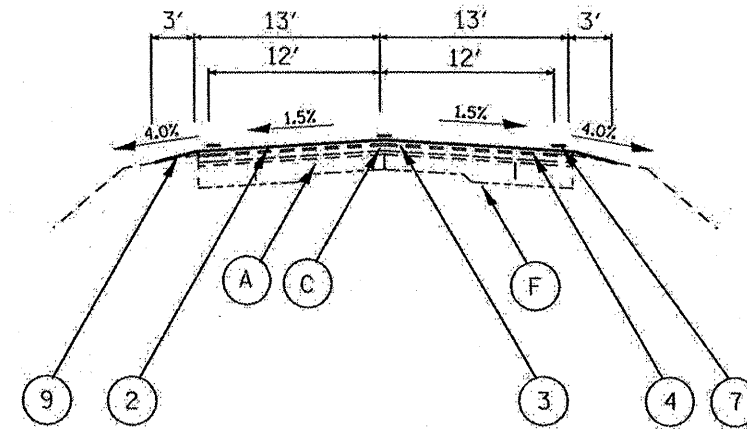


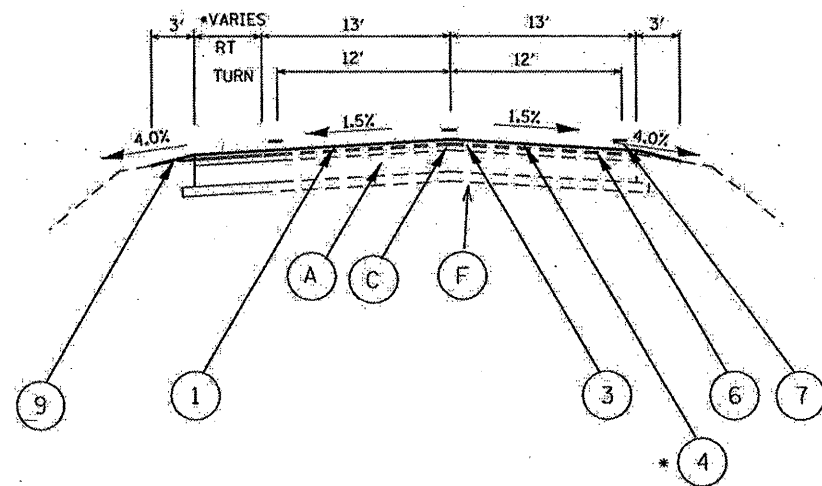
TYPICAL SECTION 8
STA. 298+00 TO 316+00



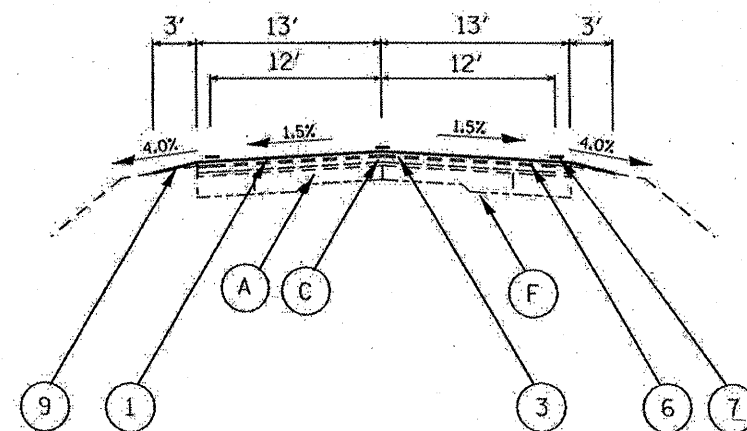
TYPICAL SECTION 9
STA 358+00 TO 359+50
STA 360+41 TO 409+13

LEGEND - EXISTING

- (A) PCC PAVEMENT - 10"
- (B) PCC PAVEMENT - 9"-6"-9"
- (C) HMA OVERLAYS (VARIES 3"-5")
- (D) STABILIZED SHOULDER - 8" AND VAR.
- (E) CCC&G B6.24
- (F) STABILIZED SUB-BASE - 4"
- (G) CONCRETE MEDIAN SURFACE - 4"



TYPICAL SECTION 6
STA. 331+44 TO 345+19
*SURFACE ONLY FOR PROPOSED TURN LANE



TYPICAL SECTION 7
STA 153+00 TO 273+00

LEGEND - PROPOSED

- (1) HMA SURFACE REMOVAL, 1 1/2"
- (2) HMA SURFACE REMOVAL, 2"
- (3) LEVELING BINDER (MM), IL-4.75, N50 3/4"
- (4) HMA SURFACE COURSE, MIX "D", N50 1 1/2"
- (5) HMA SURFACE COURSE, MIX "D", N50 2 1/4"
- (6) HMA SURFACE COURSE, MIX "E", N50 1 1/2"
- (7) EPOXY PAVEMENT MARKING
- (8) HMA SHOULDERS
- (9) AGGREGATE SHOULDER, TYPE B
- (10) MEDIAN, TYPE SM 4.24

FILE NAME = 68460 Phase II TYPICALS.dgn	USER NAME = jacobsmr	DESIGNED -	REVISED -
		DRAWN -	REVISED -
		CHECKED -	REVISED -
		DATE -	REVISED -

STATE OF ILLINOIS
DEPARTMENT OF TRANSPORTATION

TYPICAL SECTIONS

NOT TO SCALE SHEET NO. 3 OF 4 SHEETS

F.A.P. RTE.	SECTION	COUNTY	TOTAL SHEETS	SHEET NO.
693	115RS-5, 118RS-7	TAZEWELL	36	9
CONTRACT NO. 68460				
ILLINOIS FED. AID PROJECT				