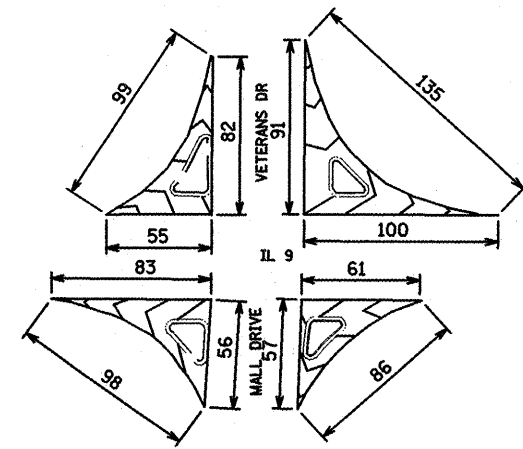
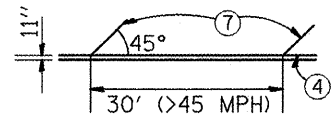


PAVEMENT MARKING LEGEND

- ① LINE 4" (WHITE)
- ② LINE 4" (YELLOW)
- ③ LINE 4" (DOUBLE YELLOW)
- ④ LINE 6" (WHITE)
- ⑤ LINE 8" (WHITE)
- ⑥ LINE 12" (CHEVRON & DIAGONAL WHITE)
- ⑦ LINE 12" (CHEVRON & DIAGONAL YELLOW)
- ⑧ LINE 24" (STOP BAR)
- ⑨ LETTERS AND SYMBOLS



IL9/VETERANS DR/MALL DRIVE ISLAND DIMENSIONS

FILE NAME = 68460 Phase II.dgn

USER NAME = jacobsmr
 PLOT SCALE = 100.0000' / IN.
 PLOT DATE = 2/1/2010

DESIGNED -
 DRAWN -
 CHECKED -
 DATE -

REVISED -
 REVISED -
 REVISED -
 REVISED -

**STATE OF ILLINOIS
 DEPARTMENT OF TRANSPORTATION**

PAVEMENT MARKINGS /IL 9 PEKIN
 SCALE: SHEET NO. OF SHEETS STA. TO STA.

F.A.P. RTE. 693	SECTION 115RS-5, 118RS-7	COUNTY TAZEWELL	TOTAL SHEETS 36	SHEET NO. 17
CONTRACT NO. 68460				
ILLINOIS FED. AID PROJECT				