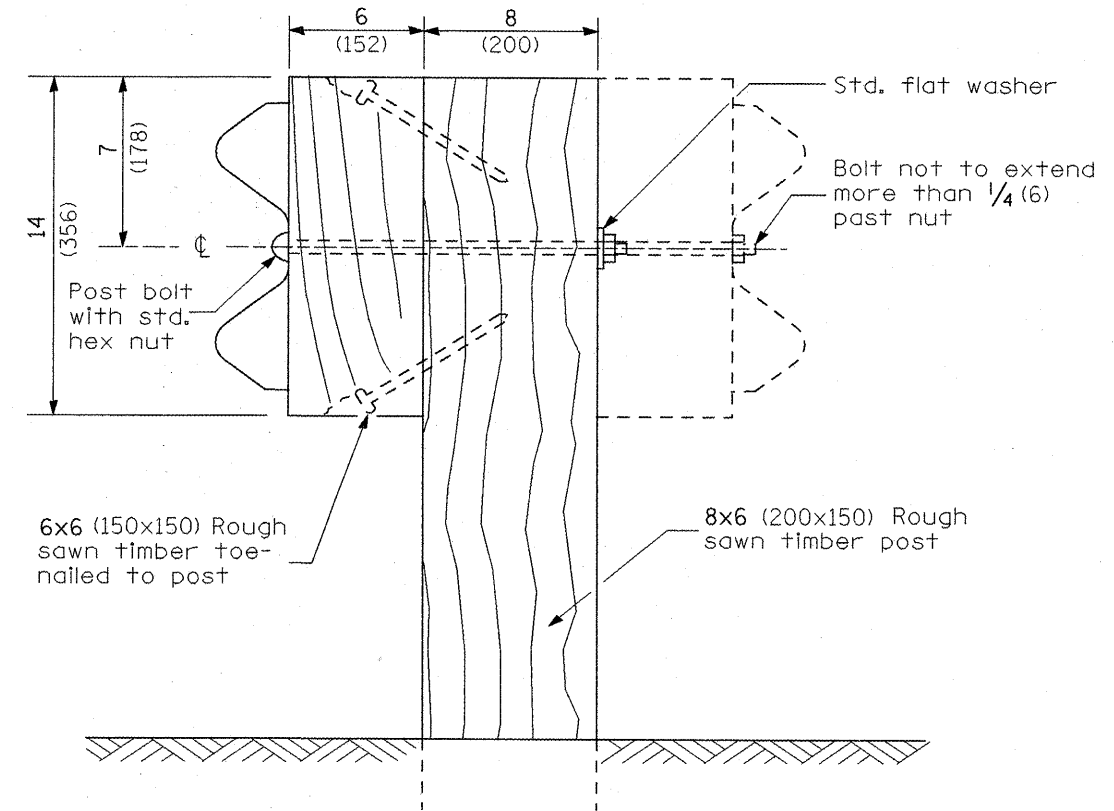
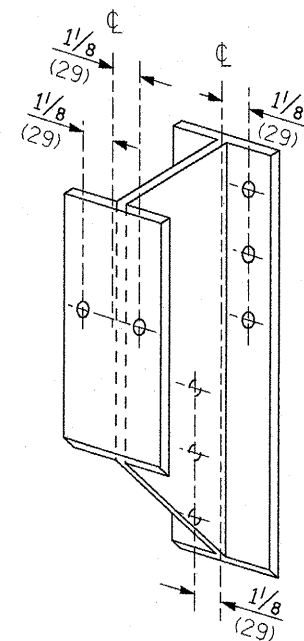


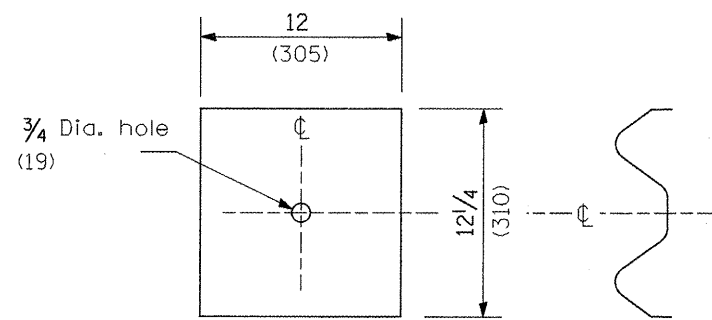
**STEEL POST CONSTRUCTION**



**WOOD POST CONSTRUCTION**



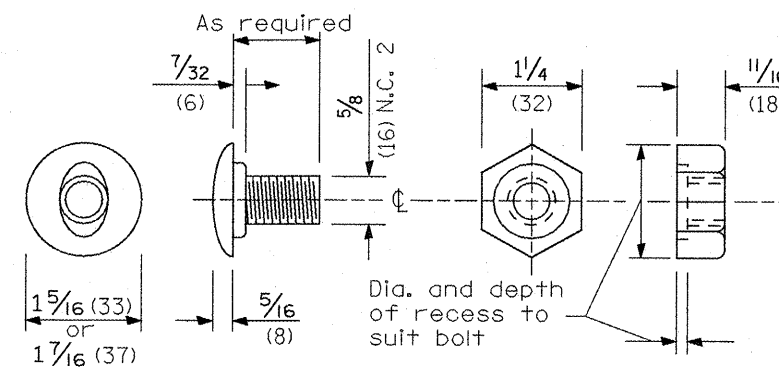
**STEEL BLOCK-OUT DETAIL**



NOTE

Plate A shall be placed between rail element and block-out at non-splice mounting points only when steel block-outs are used.

**PLATE A**



**POST OR SPLICE BOLT & NUT**

All dimensions are in inches (millimeters) unless otherwise noted.

STATE OF ILLINOIS  
DEPARTMENT OF TRANSPORTATION

GUARDRAIL INSTALLATION DETAIL

F.A.P. RTE.	SECTION	COUNTY	TOTAL SHEETS	SHEET NO.
693	115RS-5, 118RS-7	TAZEWELL	36	25

NOT TO SCALE SHEET NO. 2 OF 4 SHEETS

CONTRACT NO. 68460

ILLINOIS FED. AID PROJECT