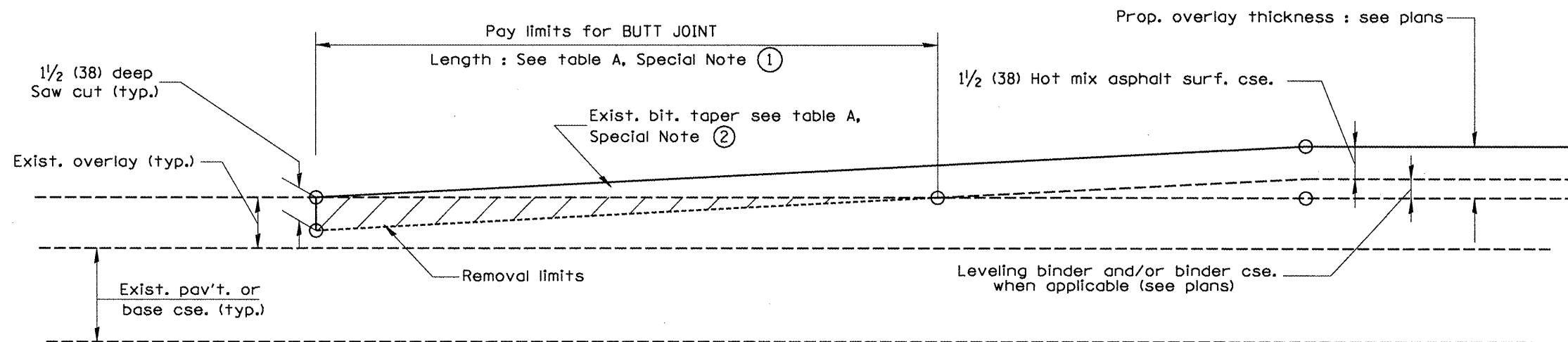
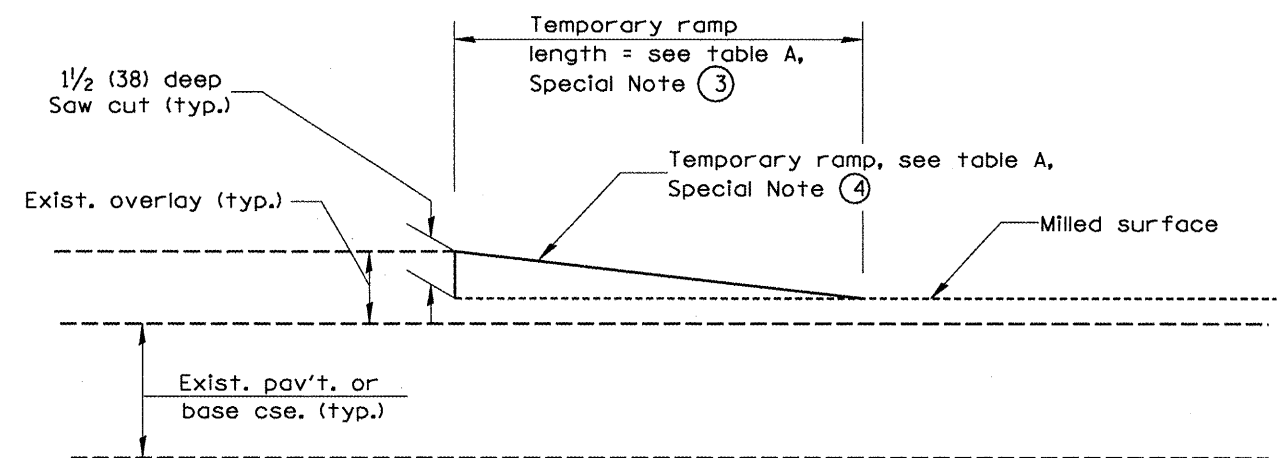


CASE 3 : WITH HOT MIX ASPHALT SURFACE REMOVAL (COLD MILLING)
TIE-IN TO EXISTING BITUMINOUS TAPER



CASE 4 : NO HOT MIX ASPHALT SURFACE REMOVAL (COLD MILLING)
TIE-IN TO EXISTING BITUMINOUS TAPER



DETAIL TEMPORARY RAMP

All dimensions are in inches (millimeters) unless otherwise noted.

STATE OF ILLINOIS
DEPARTMENT OF TRANSPORTATION

BUTT JOINTS

NOT TO SCALE

SHI_2_0E_3
CADD_SIQ_406101-04

F.A.U. RTE.	SECTION	COUNTY	TOTAL SHEETS	SHEET NO.
6659	11RS-3	PEORIA	40	32
PPP	CONTRACT NO. 68502			
FED. ROAD DIST. NO. 4 ILLINOIS FED. AID PROJECT				