

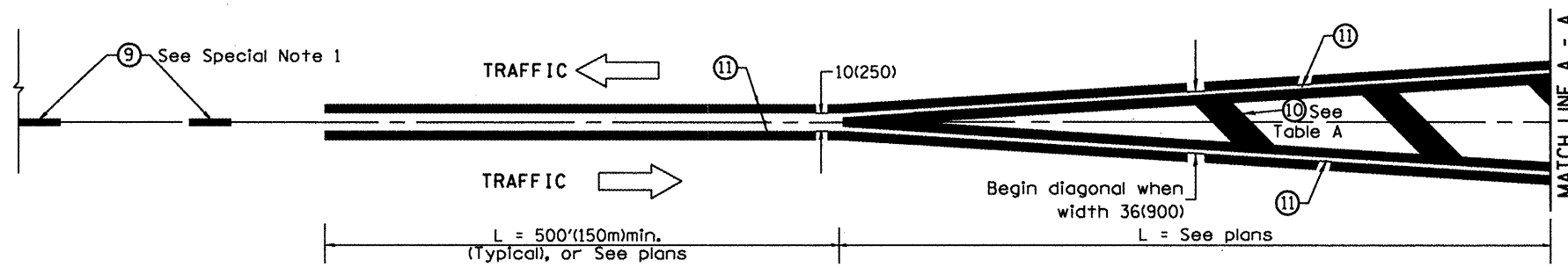
TYPICAL MEDIAN TRANSITIONS

FLUSH PAVED MEDIAN: RESTRICTED LEFT TURN LANE

TABLE A

RECOMMENDED SPACING BETWEEN DIAGONAL LINES

SPEED LIMIT RANGE	CONTINUOUS	INTERSECTION CHANNELIZATION (Includes Width Transitions for Median and Left Turn Lane Introductions)	
		5' (1.5m)	6'-6" (2m)
Less Than 30 mph (50 km/h)	50' (15m)	15' (5m)	20' (6m)
30 - 45 mph (50 - 70 km/h)	75' (23m)	20' (6m)	30' (9m)
Over 45 mph (70 km/h)	150' (46m)	30' (9m)	



MEDIAN INTRODUCTION - WIDTH TRANSITIONS

All dimensions are in inches (millimeters) unless otherwise noted.

--	--	--	--	--	--	--	--	--	--

STATE OF ILLINOIS  
DEPARTMENT OF TRANSPORTATION

TYPICAL PAVEMENT MARKINGS

NOT TO SCALE

F.A.U. RTE.	SECTION	COUNTY	TOTAL SHEETS	SHEET NO.
6659	11RS-3	PEORIA	40	37
PPP	CONTRACT NO. 68502			
FED. ROAD DIST. NO. 4 ILLINOIS FED. AID PROJECT				

SHI. 2 OF 2  
CADD SIG. 780001-04