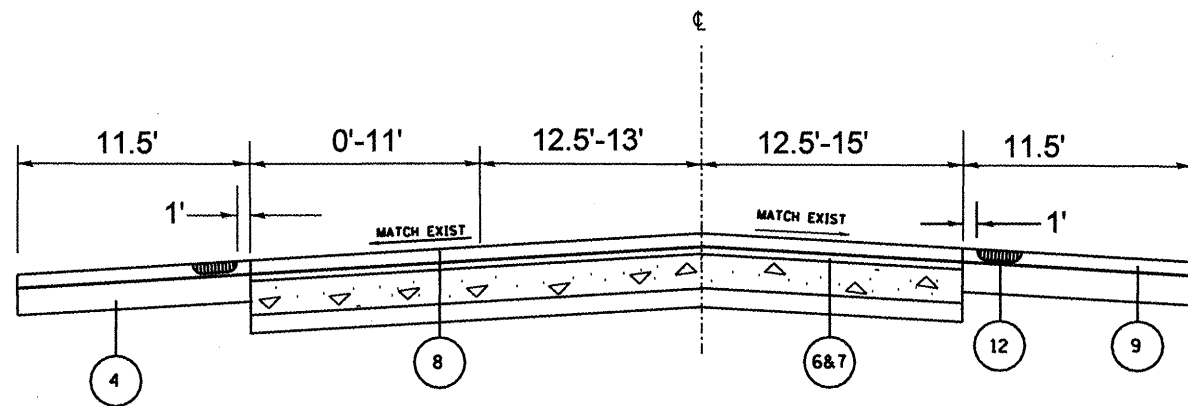


STA 25+85 - 19+00



STA 19+00 - 15+31.8(BK) = 56+86.8(AH)  
 STA 15+31.8(BK) = 56+86.8(AH) - 58+02

1. EXISTING AGGREGATE BASE ±14"
2. EXISTING H.M.A. OVERLAY ±5"
3. EXISTING AGGREGATE SHOULDER
4. EXISTING HOT-MIX ASPHALT SHOULDER
5. EXISTING V GUTTER
6. PROPOSED HOT-MIX ASPHALT SURFACE REMOVAL .75"
7. PROPOSED POLYMERIZED LEVELING BINDER (MM), IL 4.75, N50 .75"
8. PROPOSED HOT-MIX ASPHALT SURFACE COURSE, MIX D, N50 1.5"
9. PROPOSED HOT-MIX ASPHALT SURFACE COURSE, MIX C, N30 1.5"
10. PROPOSED AGGREGATE SHOULDERS, TYPE B
11. PROPOSED HOT-MIX ASPHALT SHOULDERS 8"
12. PROPOSED SHOULDER RUMBLE STRIP

|                                 |                               |            |   |   |                         |  |                           |           |        |                 |              |
|---------------------------------|-------------------------------|------------|---|---|-------------------------|--|---------------------------|-----------|--------|-----------------|--------------|
| FILE NAME =<br>D468558-CADD.dgn | USER NAME = tuesmandw         | DESIGNED - | REVISED -   | <b>STATE OF ILLINOIS<br/>DEPARTMENT OF TRANSPORTATION</b> | <b>TYPICAL SECTIONS</b> |  | F.A.S.<br>RTE.            | SECTION   | COUNTY | TOTAL<br>SHEETS | SHEET<br>NO. |
|                                 | PLOT SCALE = 4999.9998' / IN. | DRAWN -    | REVISED -   |   |                         |  | 2370                      | (1,2)RS-2 | PUTNAM | 32              | 10           |
| PLOT DATE = 1/28/2010           | CHECKED -                     | REVISED -  | SCALE: _____ SHEET NO. ___ OF ___ SHEETS STA. _____ TO STA. _____ |   | CONTRACT NO. 68558      |  | ILLINOIS FED. AID PROJECT |           |        |                 |              |
|                                 | DATE -                        | REVISED -  |   |   |                         |  |                           |           |        |                 |              |