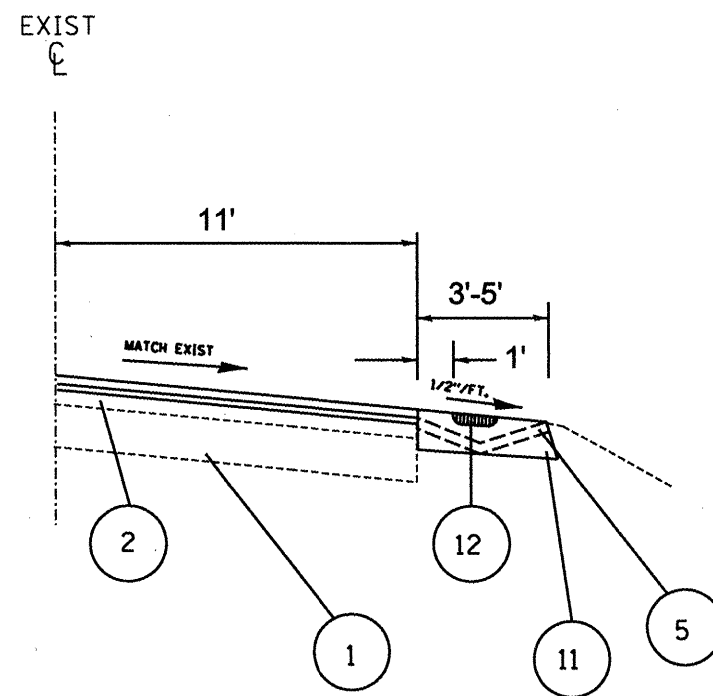


LT STA 166+13 - 181+33



RT STA 78+35 - 87+11

1. EXISTING AGGREGATE BASE ±14"
2. EXISTING H.M.A. OVERLAY ±5"
3. EXISTING AGGREGATE SHOULDER
4. EXISTING HOT-MIX ASPHALT SHOULDER
5. EXISTING V GUTTER
6. PROPOSED HOT-MIX ASPHALT SURFACE REMOVAL .75"
7. PROPOSED POLYMERIZED LEVELING BINDER (MM), IL 4.75, N50 .75"
8. PROPOSED HOT-MIX ASPHALT SURFACE COURSE, MIX D, N50 1.5"
9. PROPOSED HOT-MIX ASPHALT SURFACE COURSE, MIX C, N30 1.5"
10. PROPOSED AGGREGATE SHOULDERS, TYPE B
11. PROPOSED HOT-MIX ASPHALT SHOULDERS 8"
12. PROPOSED SHOULDER RUMBLE STRIP

FILE NAME = D468558-CADD.dgn	USER NAME = tiesmandi	DESIGNED -	REVISED -	STATE OF ILLINOIS DEPARTMENT OF TRANSPORTATION	TYPICAL SECTIONS		F.A.S. RTE. 2370	SECTION (1,2)RS-2	COUNTY PUTNAM	TOTAL SHEETS 32	SHEET NO. 13
	PLOT SCALE = 4999.9998 ' / IN.	DRAWN -	REVISED -		SCALE: _____	SHEET NO. ____ OF ____ SHEETS	STA. _____ TO STA. _____	ILLINOIS FED. AID PROJECT			
PLOT DATE = 1/27/2010	DATE -	CHECKED -	REVISED -				CONTRACT NO. 68558				