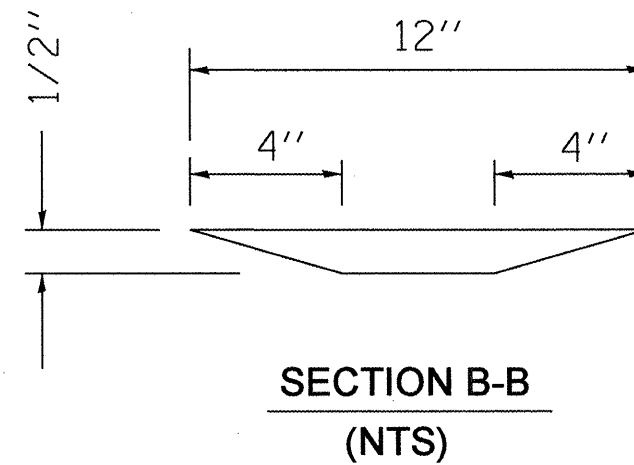
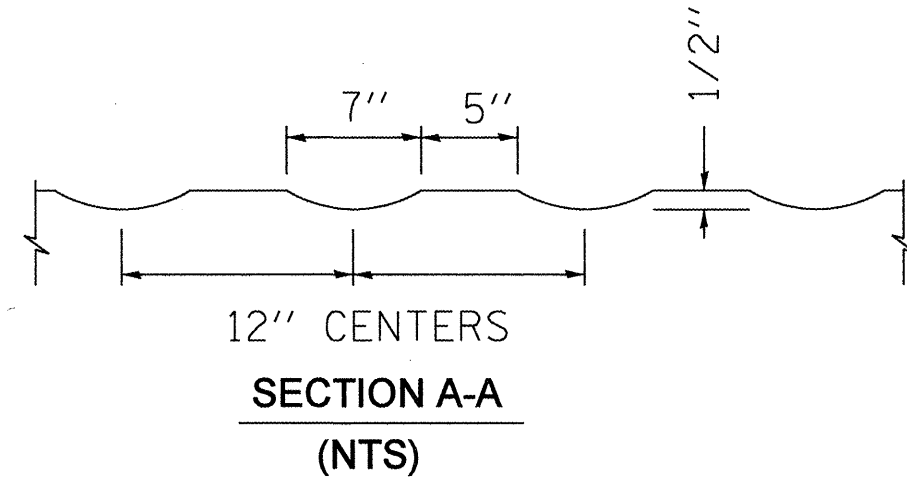
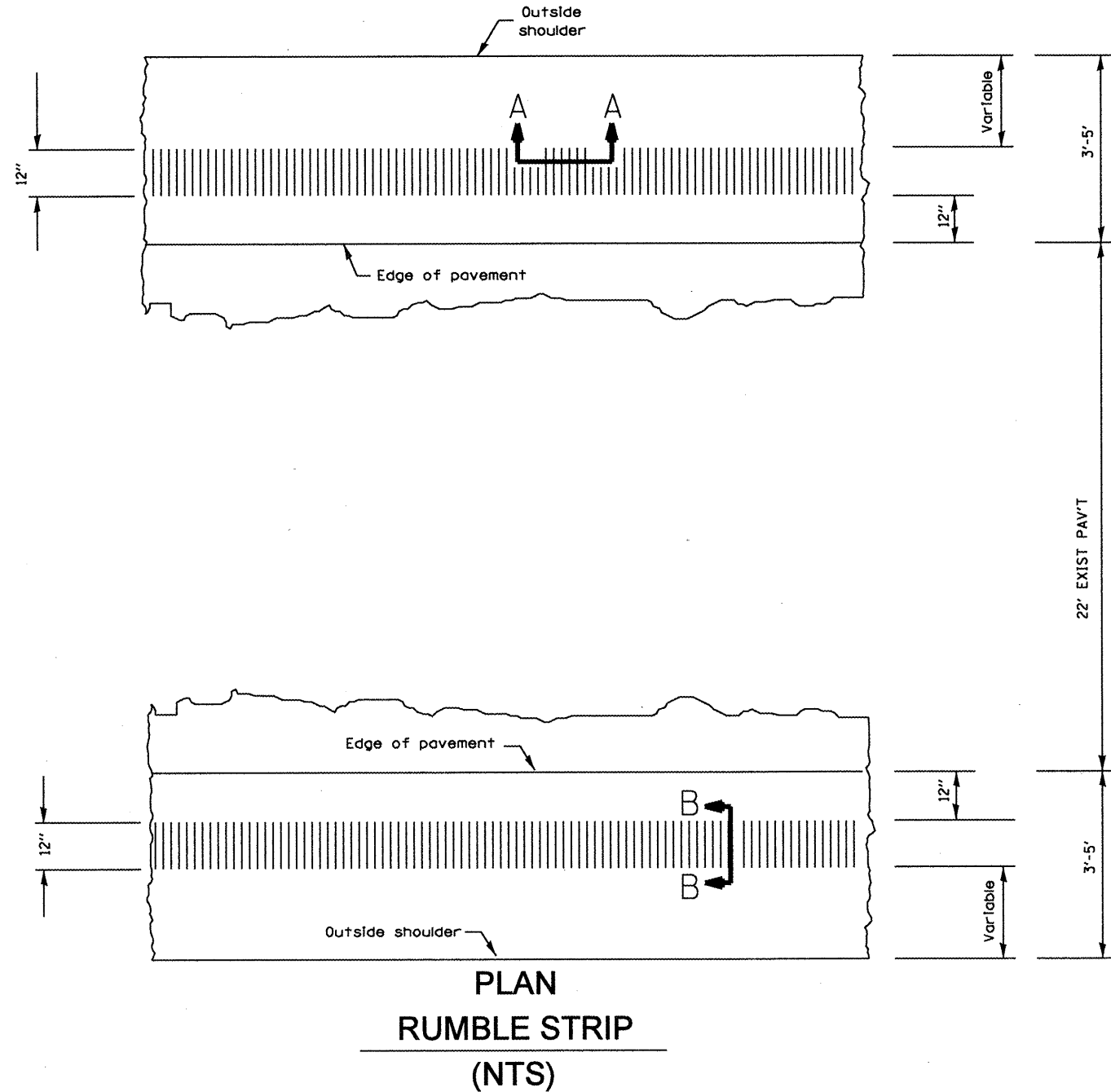


**GENERAL NOTES**

1. THIS DETAIL GIVES CONSTRUCTION INSTALLATION DETAILS ONLY AND DOES NOT DETERMINE WHEN OR WHERE RUMBLESTRIPS ARE TO BE USED.
2. RUMBLE STRIPS SHALL BE OMITTED AT TURN AND AUXILIARY LANES, ROAD APPROACHES, RESIDENCE, 250 FT. BEFORE ROAD INTERSECTIONS, AND OTHER INTERRUPTIONS AS DIRECTED BY THE RESIDENT ENGINEER.



FILE NAME = 0468558-CADD.dgn	USER NAME = tiesmaridw	DESIGNED -	REVISED -	<b>STATE OF ILLINOIS DEPARTMENT OF TRANSPORTATION</b>	<b>CONTINUOUS RUMBLE STRIP DETAIL</b>			F.A.S. RTE.	SECTION	COUNTY	TOTAL SHEETS	SHEET NO.
	PLOT SCALE = 4999,9998' / IN.	DRAWN -	REVISED -					2370	(1,2)RS-2	PUTNAM	32	21
	PLOT DATE = 1/27/2010	CHECKED -	REVISED -					CONTRACT NO. 68558				
		DATE -	REVISED -					ILLINOIS FED. AID PROJECT				
				SCALE: _____	SHEET NO. _____ OF _____ SHEETS	STA. _____ TO STA. _____						