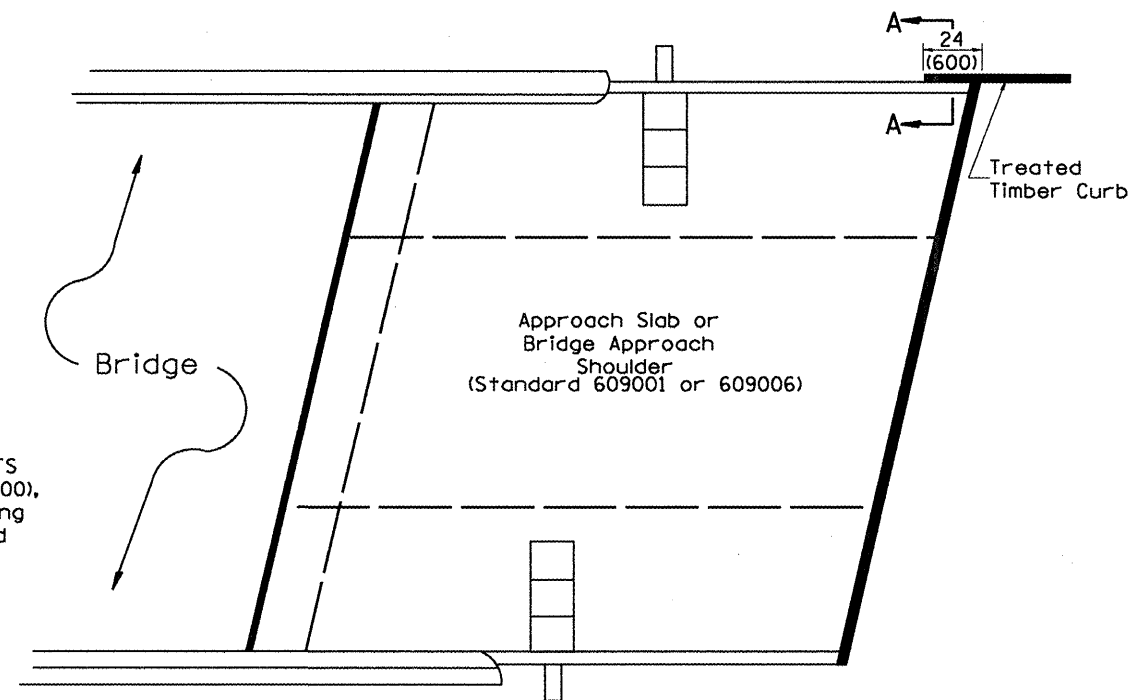
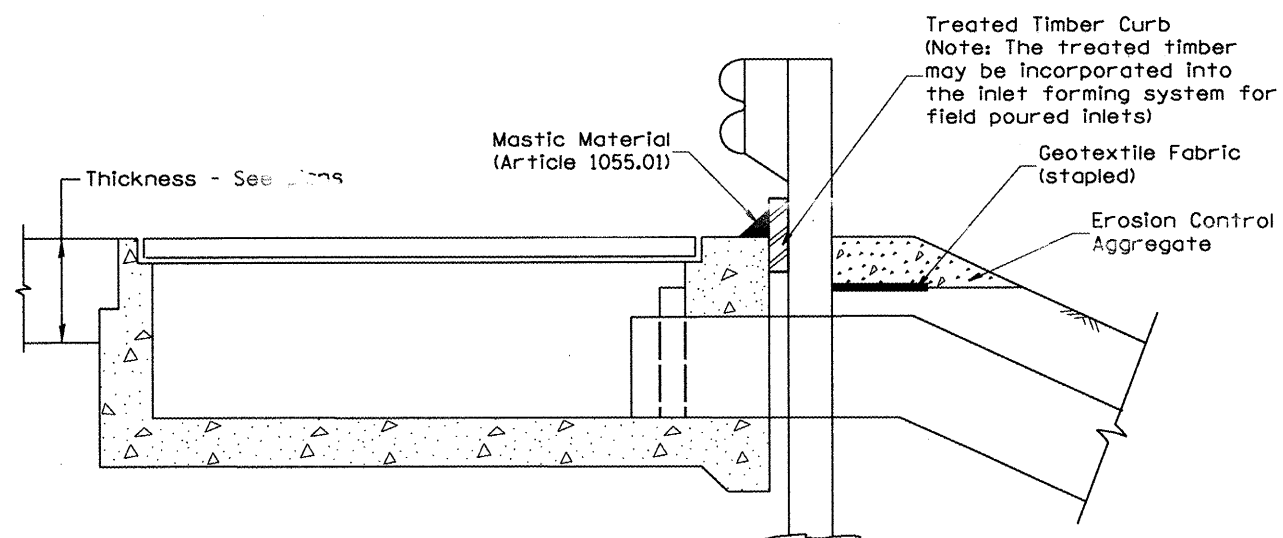


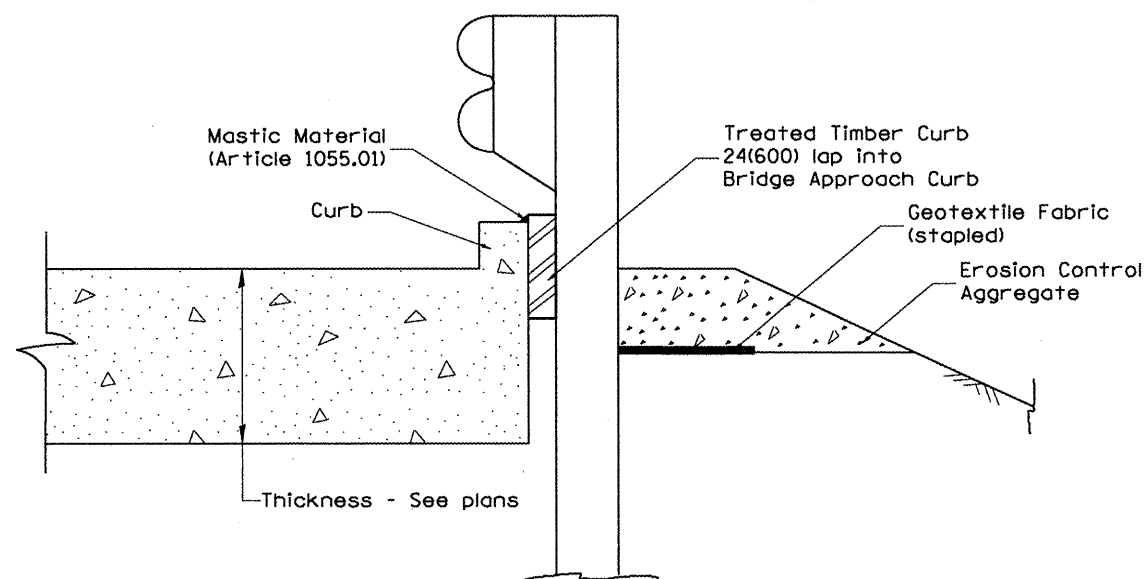
DETAIL A
(Typical Treated Timber Splices)



PLAN VIEW
APPROACH SLAB OR BRIDGE APPROACH SHOULDER
(STANDARD 609001 or 609006)



TYPICAL SECTION WITH EROSION CONTROL CURB
AT INLETS TYPE E & F (STANDARD 610001)



SECTION A-A
TYPICAL SECTION WITH EROSION CONTROL CURB
AT BRIDGE APPROACH CURB
(STANDARD 609001 OR 609006)

All dimensions are in inches (millimeters) unless otherwise noted.

STATE OF ILLINOIS
DEPARTMENT OF TRANSPORTATION

GUARDRAIL EROSION CONTROL TREATMENTS

NOT TO SCALE

F.A.S. RTE.	SECTION	COUNTY	TOTAL SHEETS	SHEET NO.
2370	1.21RS-2	PUTNAM	32	27
CONTRACT NO. 68558				

SHI. 2 OF 2
CAOQ_SIO_630101-04
FED. ROAD DIST. NO. ILLINOIS FED. AID PROJECT