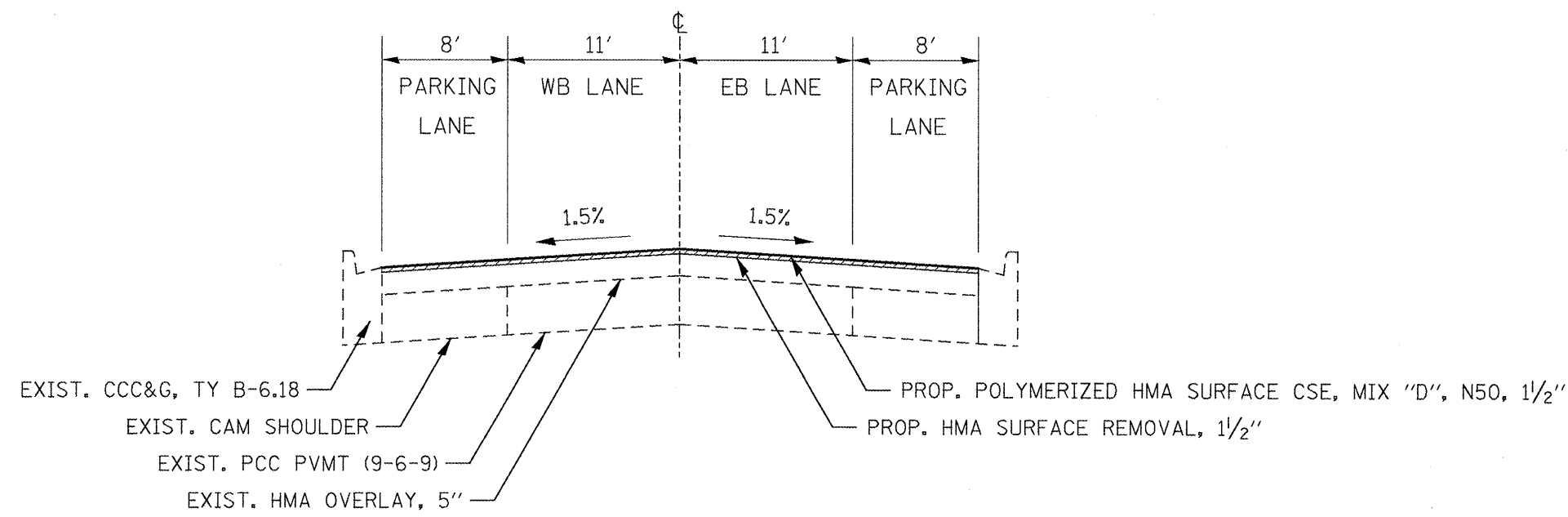


TYPICAL SECTION 13
 STA. 105+96.00 TO STA. 115+48.00



TYPICAL SECTION 14
 STA. 748+27.00 TO STA. 767+15.00

FILE NAME = 68570 - Phase II.dgn	USER NAME = johnsontv	DESIGNED -	REVISED -	STATE OF ILLINOIS DEPARTMENT OF TRANSPORTATION	TYPICAL SECTIONS			F.A.P. RTE.	SECTION	COUNTY	TOTAL SHEETS	SHEET NO.
	PLDT SCALE = 100.0000' / IN.	CHECKED -	REVISED -					317	31RS-2+30,39RS-3+32,33RS-4	WOODFORD	41	12
	PLDT DATE = 2/1/2010	DATE -	REVISED -		NOT TO SCALE	SHEET NO. 7 OF 8 SHEETS	STA. 105+96.00 TO STA. 767+15.00	CONTRACT NO. 68570			ILLINOIS FED. AID PROJECT	