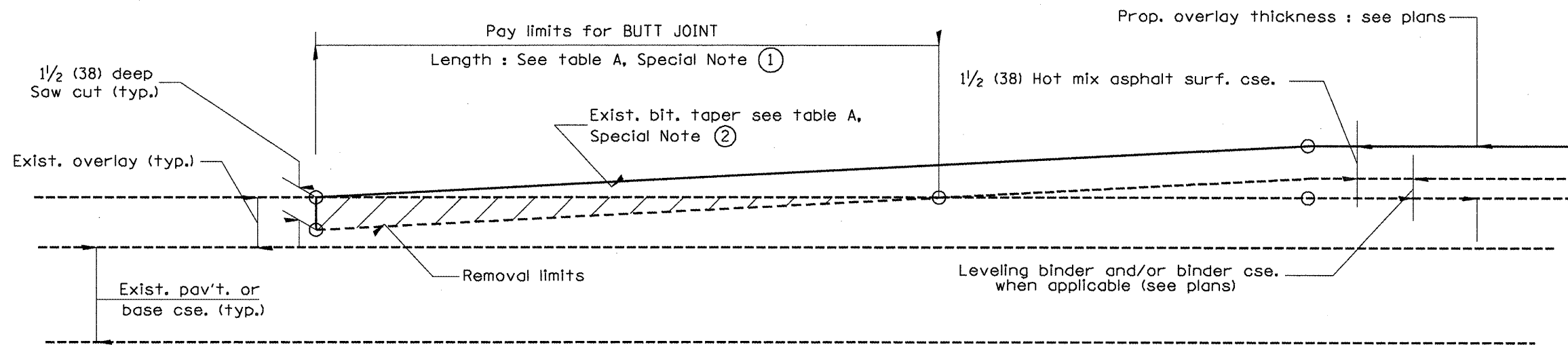
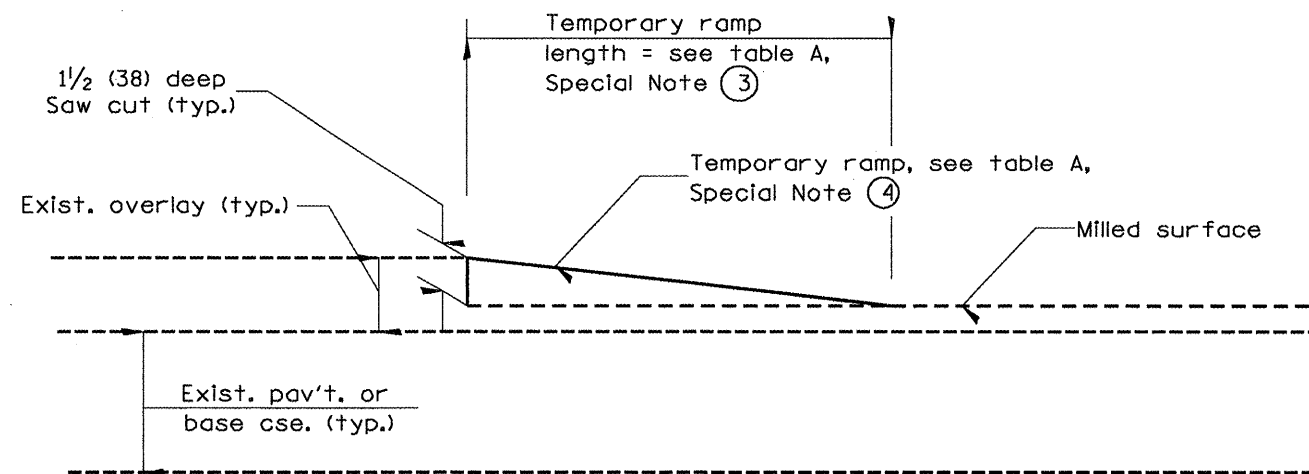


**CASE 3 : WITH HOT MIX ASPHALT SURFACE REMOVAL (COLD MILLING)  
TIE-IN TO EXISTING BITUMINOUS TAPER**



**CASE 4 : NO HOT MIX ASPHALT SURFACE REMOVAL (COLD MILLING)  
TIE-IN TO EXISTING BITUMINOUS TAPER**



**DETAIL TEMPORARY RAMP**

All dimensions are in inches (millimeters) unless otherwise noted.

STATE OF ILLINOIS DEPARTMENT OF TRANSPORTATION		BUTT JOINTS		SHT. 2 OF 3 CADD STD. 406101-D4		F.A. RTE. 1190		SECTION 123RS-4,124RS-5,125,126RS-3		COUNTY Knox/Henry		TOTAL SHEETS 20		SHEET NO. 19	
NOT TO SCALE												CONTRACT NO. 68604			
FED. ROAD DIST. NO.												ILLINOIS FED. AID PROJECT			