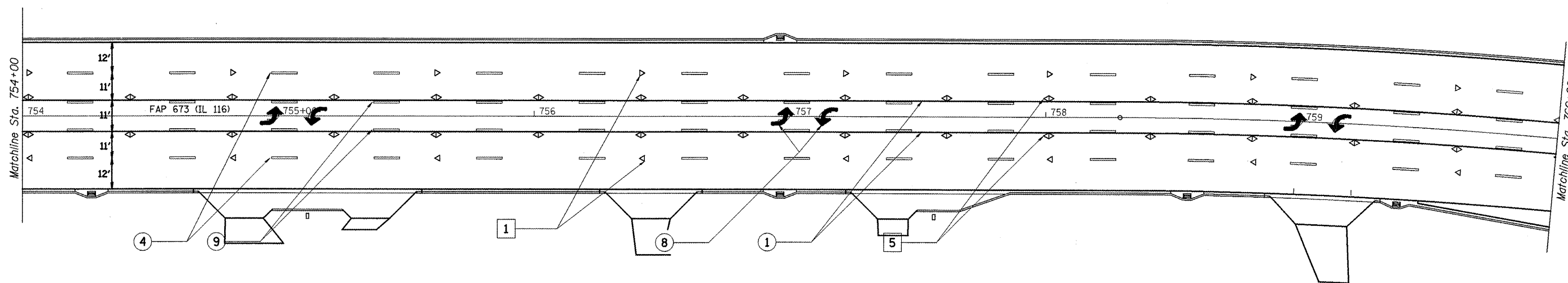
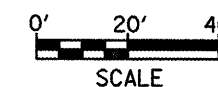


F.A.P. RTE.	SECTION	COUNTY	TOTAL SHEETS	SHEET NO.
673	*	WOODFORD	03	28
STA.		TO STA.		
FED. ROAD DIST. NO.		ILLINOIS FED. AID PROJECT		

T27N, R2W, 4TH P.M.



PAVEMENT MARKING LEGEND		RAISED REFLECTIVE PAVEMENT MARKERS (RRPM)	
① 4" SOLID (YELLOW)		① ONE-WAY CRYSTAL MARKER AT 80' CENTERS	
② 4" SOLID (WHITE)		② ONE-WAY CRYSTAL MARKER AT 40' CENTERS	
③ (2) 6" CROSSWALK (WHITE)		③ ONE-WAY CRYSTAL MARKER AT 20' CENTERS	
④ 6" SKIP DASH (WHITE) PREF PLASTIC TYPE B		④ ONE-WAY AMBER MARKER AT 40' CENTERS	
⑤ 8" SOLID (WHITE)		⑤ TWO-WAY AMBER MARKER AT 40' CENTERS	
⑥ 12" DIAGONAL (WHITE) 30' (>45 MPH) 20' (<45 MPH)		⑥ ONE-WAY CRYSTAL MARKER	
⑦ 24" STOP BAR (WHITE)		⑦ ONE-WAY AMBER MARKER	
⑧ LETTERS AND SYMBOLS			
⑨ 4" SKIP DASH (YELLOW)			
⑩ 12" DIAGONAL (YELLOW) 30' (>45 MPH) 20' (<45 MPH)			
⑪ 4" DOUBLE (YELLOW)			
⑫ 6" SKIP DASH (YELLOW)			
		DELINEATORS	
		* DELINEATOR WITH TWO AMBER REFLECTORS	
		‡ DELINEATOR WITH THREE AMBER REFLECTORS	



REVISIONS	
NAME	DATE

ILLINOIS DEPARTMENT OF TRANSPORTATION
**PAVEMENT MARKING
 DETAIL**
 STA. 754+00 TO STA. 760+00
 SCALE: 1" = 20'
 DATE **DATE**
 DRAWN BY CADD
 CHECKED BY

DATE
 CON-ONLY