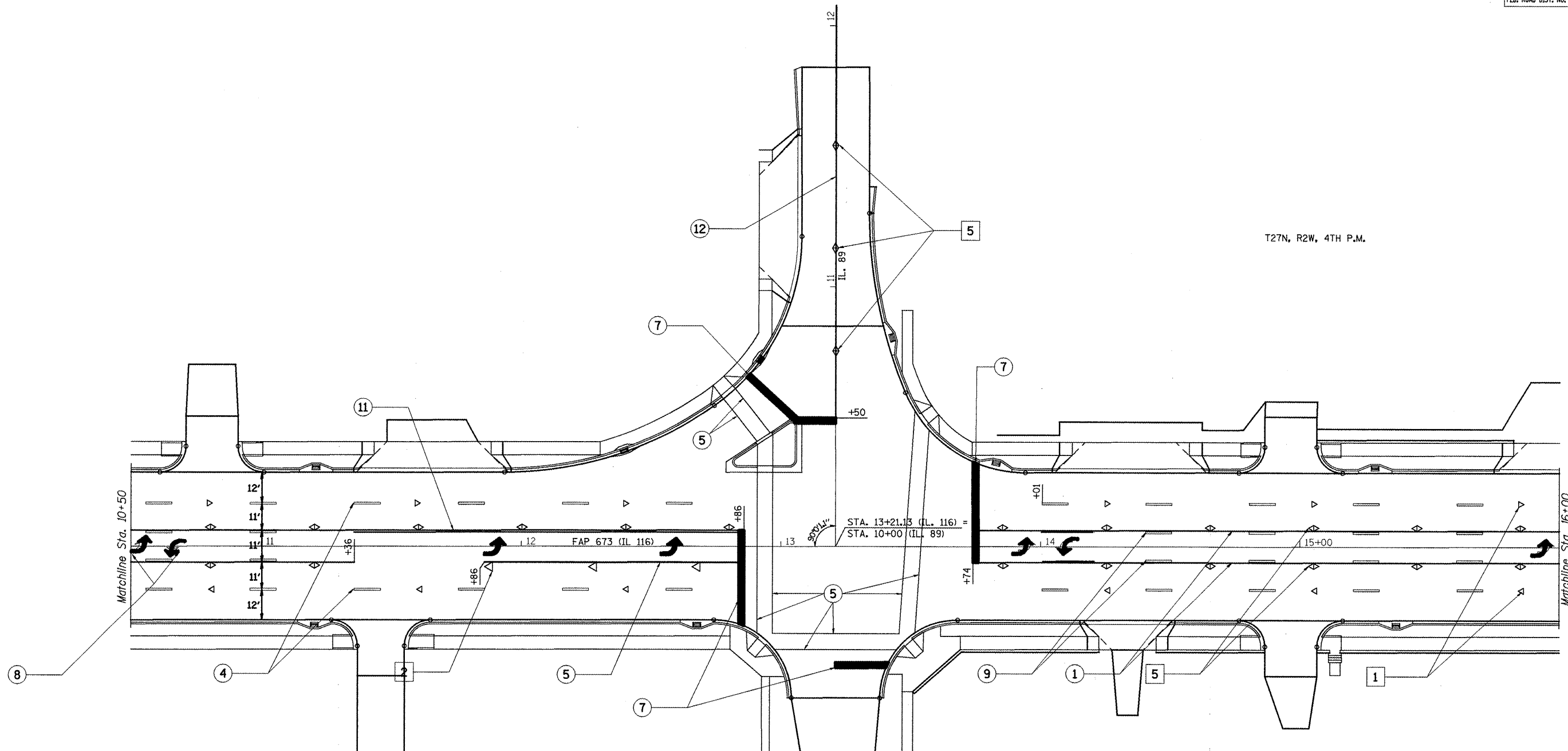
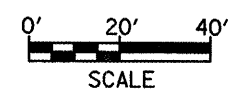


F.A.P. RTE.	SECTION	COUNTY	TOTAL SHEETS	SHEET NO.
673	*	WOODFORD	03	36
STA.	TO STA.			
FED. ROAD DIST. NO.	ILLINOIS	FED. AID PROJECT		



T27N, R2W, 4TH P.M.

PAVEMENT MARKING LEGEND		RAISED REFLECTIVE PAVEMENT MARKERS (RRPM)	
① 4" SOLID (YELLOW)		① ONE-WAY CRYSTAL MARKER AT 80' CENTERS	
② 4" SOLID (WHITE)		② ONE-WAY CRYSTAL MARKER AT 40' CENTERS	
③ 12" CROSSWALK (WHITE)		③ ONE-WAY CRYSTAL MARKER AT 20' CENTERS	
④ 6" SKIP DASH (WHITE)		④ ONE-WAY AMBER MARKER AT 40' CENTERS	
⑤ 8" SOLID (WHITE)		⑤ TWO-WAY AMBER MARKER AT 40' CENTERS	
⑥ 12" DIAGONAL (WHITE)		⑥ ONE-WAY CRYSTAL MARKER	
⑦ 24" STOP BAR (WHITE)		⑦ ONE-WAY AMBER MARKER	
⑧ LETTERS AND SYMBOLS			
⑨ 4" SKIP DASH (YELLOW)			
⑩ 12" DIAGONAL (YELLOW)			
⑪ 4" DOUBLE (YELLOW)			
⑫ 6" SKIP DASH (YELLOW)			
		DELINEATORS	
		† DELINEATOR WITH TWO AMBER REFLECTORS	
		‡ DELINEATOR WITH THREE AMBER REFLECTORS	



REVISIONS	
NAME	DATE

ILLINOIS DEPARTMENT OF TRANSPORTATION  
**PAVEMENT MARKING  
 DETAILS**  
 STA. 10+50 TO STA. 16+00  
 SCALE: 1" = 20'  
 DATE \*\*DATE\*\*  
 DRAWN BY CADD  
 CHECKED BY

\*\*DATE\*\*  
 \*DON-ONLY\*