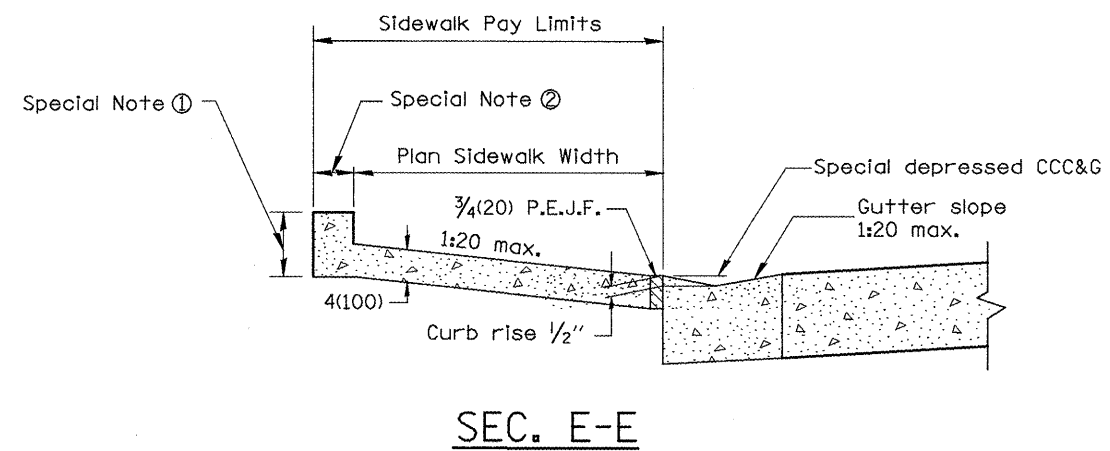
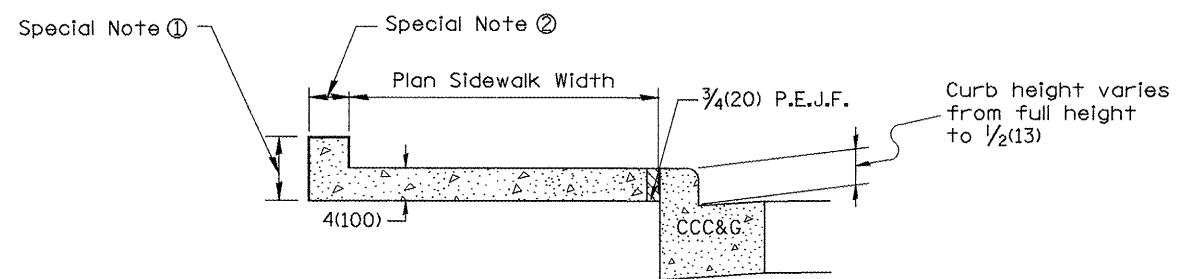


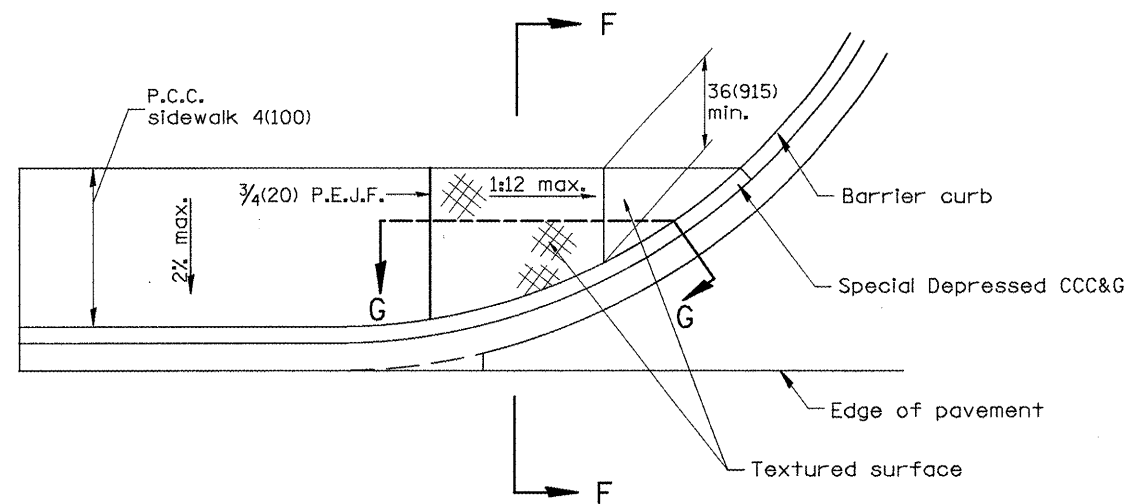
CASE 3
TYPE B DIAGONAL RAMP WITH CURBLINE SIDEWALK



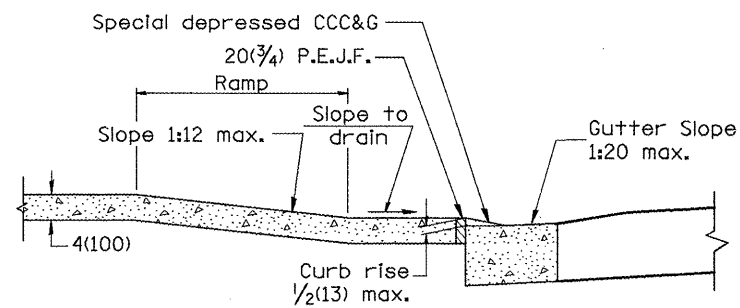
SEC. E-E



SEC. F-F



CASE 4
TYPE B RAMP WITH CURBLINE SIDEWALK



SEC. G-G

All dimensions are in inches (millimeters) unless otherwise noted.

STATE OF ILLINOIS
DEPARTMENT OF TRANSPORTATION

SIDEWALK RAMPS, ACCESSIBLE TO THE DISABLED
NOT TO SCALE

SHT. 2 OF 2
CADD STD. 424001-D4

F.A. RTE.	SECTION	COUNTY	TOTAL SHEETS	SHEET NO.
			03	57
CONTRACT NO.				
FED. ROAD DIST. NO.		ILLINOIS FED. AID PROJECT		