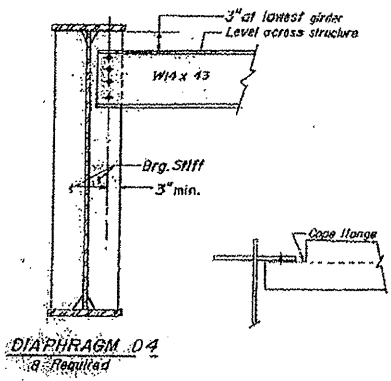
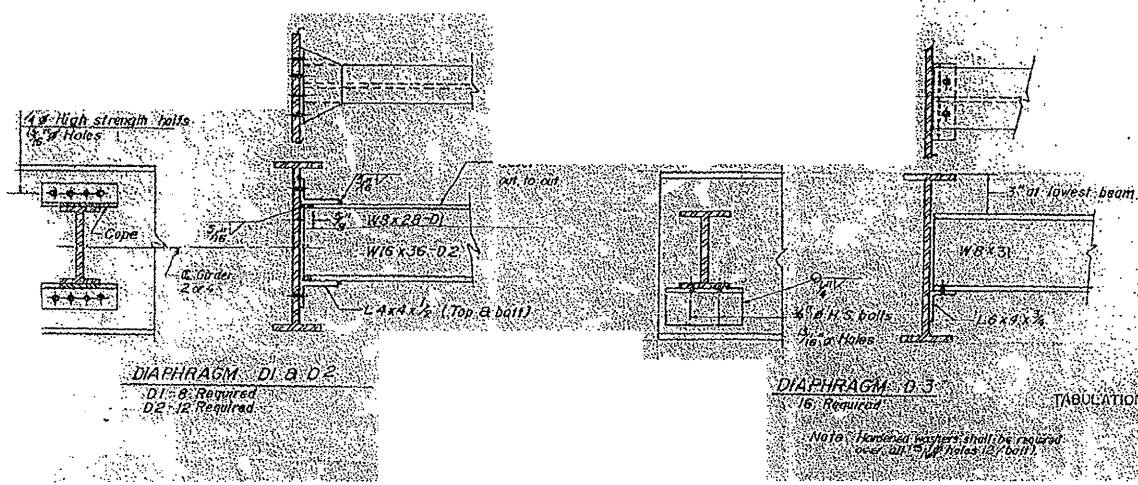
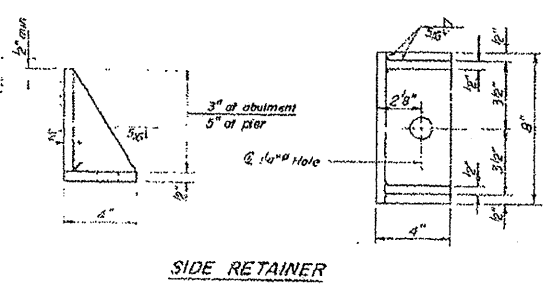
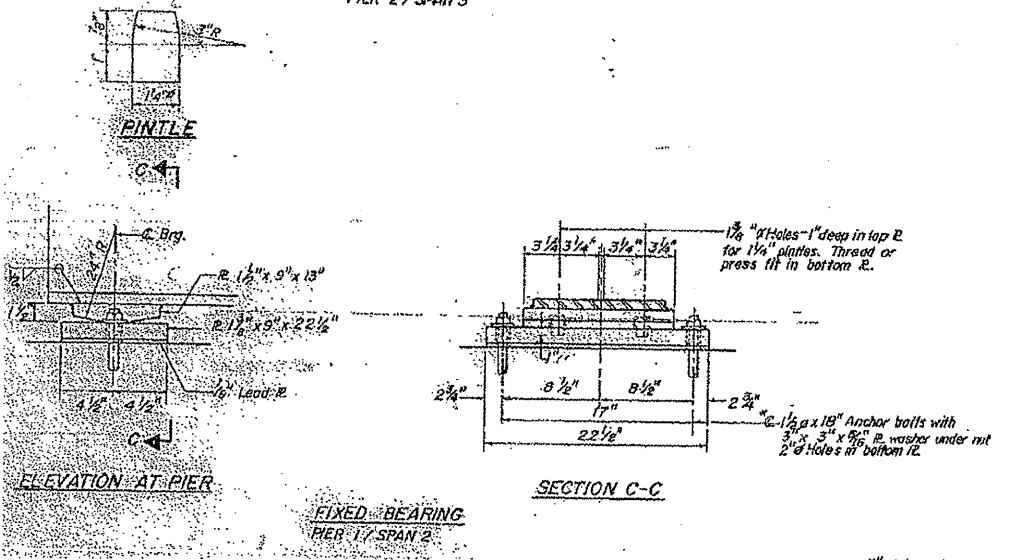
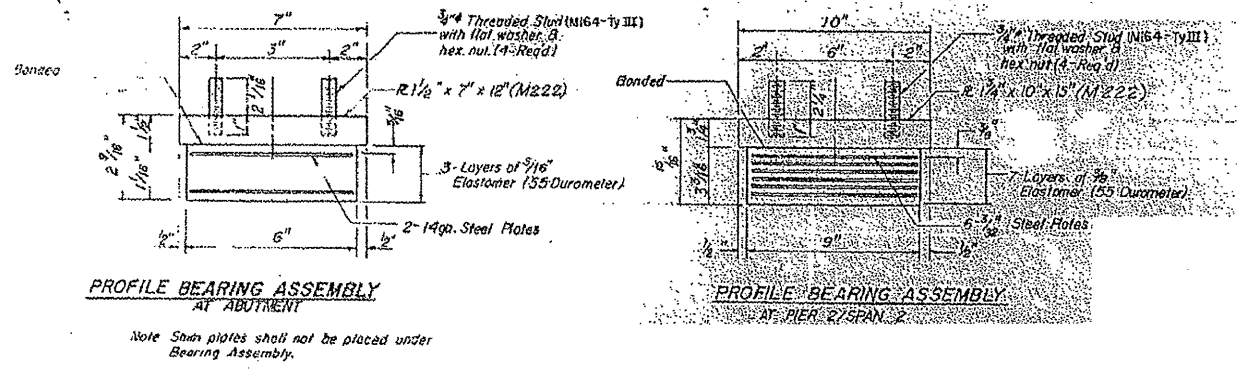
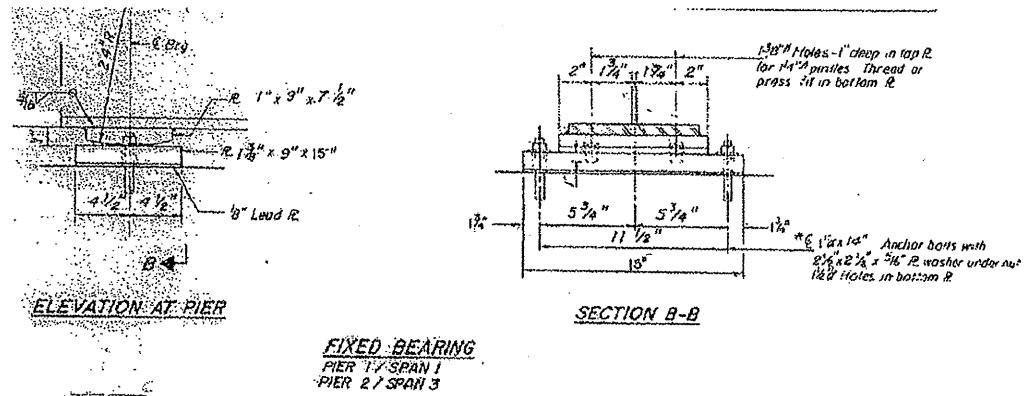
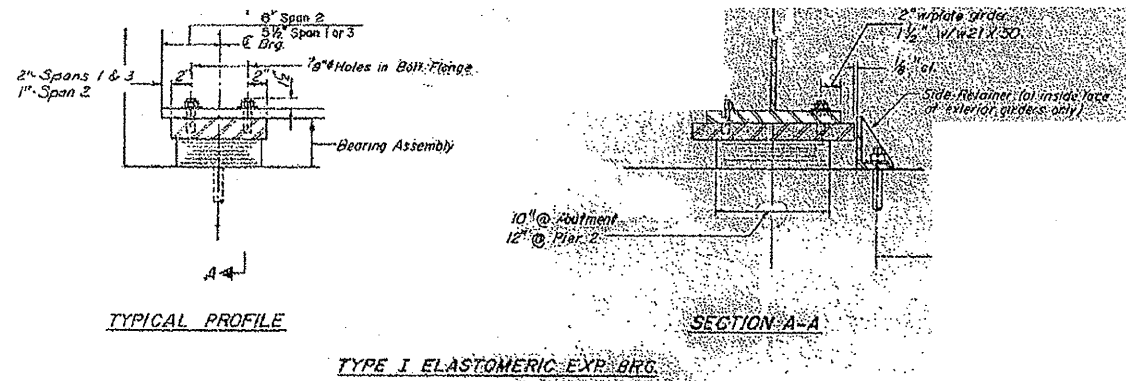


S.N. 036-0040

ROUTE	SECTION	COUNTY	TOTAL SHEETS	SHEET NO.
VARIOUS	D4 METALIZING 2010	VARIOUS	22	7



(TABULATION OF BEARINGS ON SHEET 4 OF 10)

PLAN SHEETS

FOR INFORMATION ONLY 066-0009