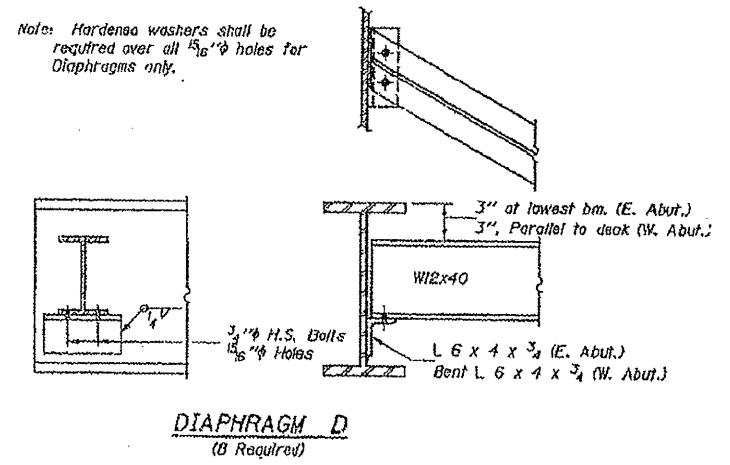
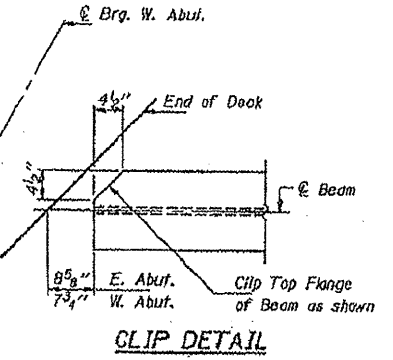
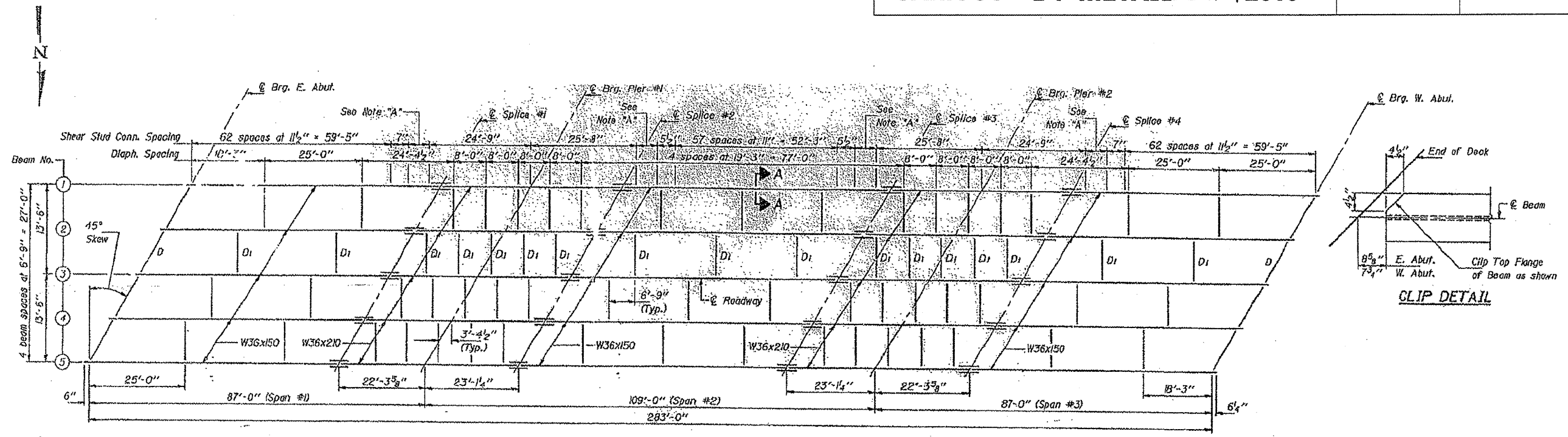
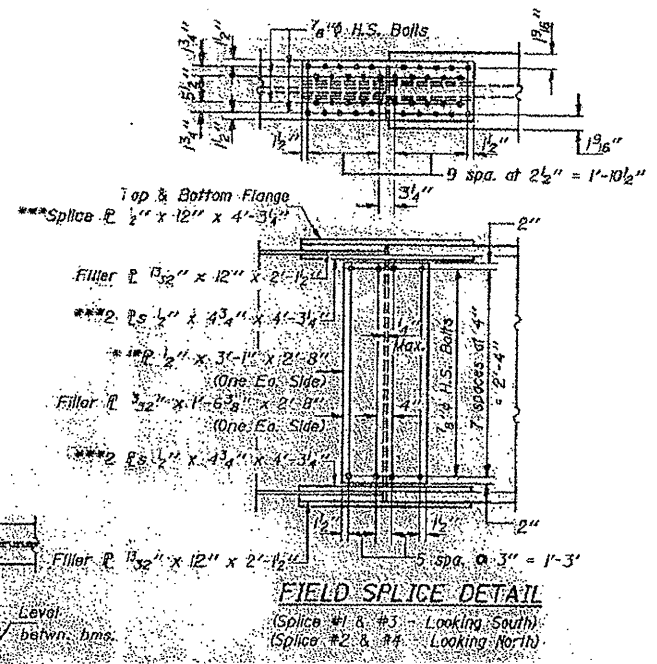
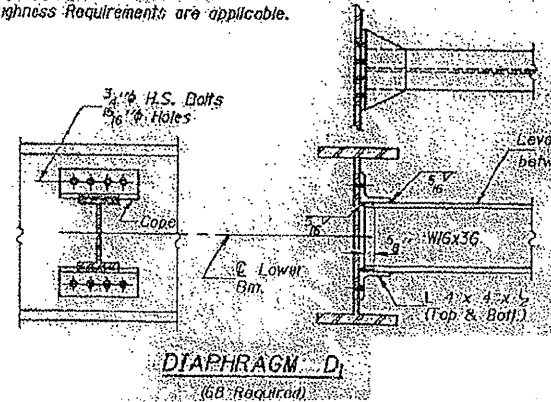


S.N. 036-0040

ROUTE	SECTION	COUNTY	TOTAL SHEETS	SHEET NO.
VARIOUS	D4 METALLIZING 2010	VARIOUS	22	14



*** Indicates plates to which Notch Toughness Requirements are applicable.



FOR INFORMATION ONLY 036-0040

PLAN SHEETS