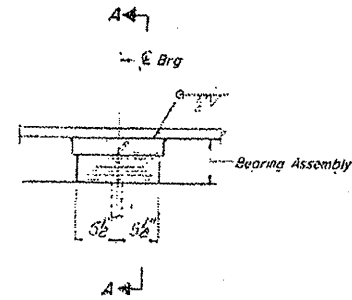
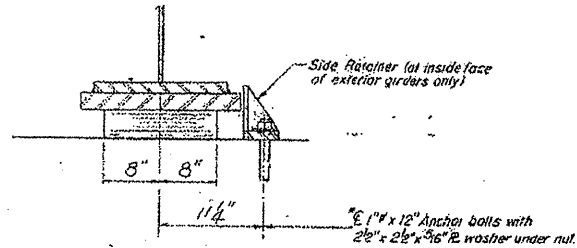


S.N. 029-0036

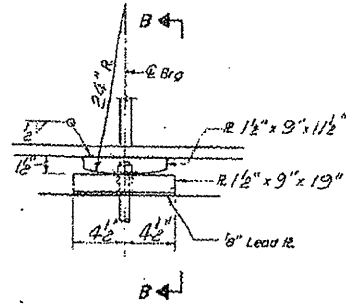
ROUTE	SECTION	COUNTY	TOTAL SHEETS	SHEET NO.
VARIOUS	D4 METALLIZING, 2010	VARIOUS	22	20



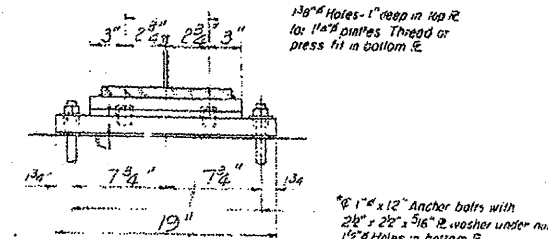
SECTION AT PIERS



SECTION A-A



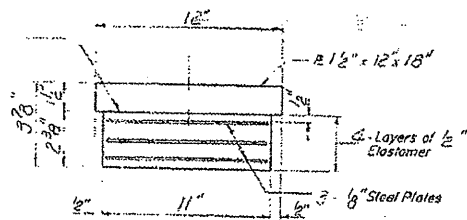
ELEVATION AT PIER



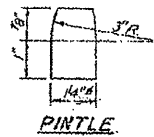
SECTION B-B

TYPE I ELASTOMERIC EXP. BRG.
PIERS 5, 7 & 9

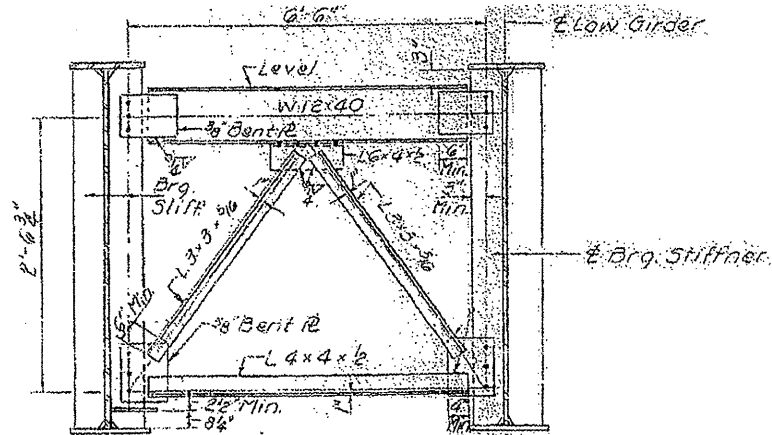
FIXED BEARING
PIER 6



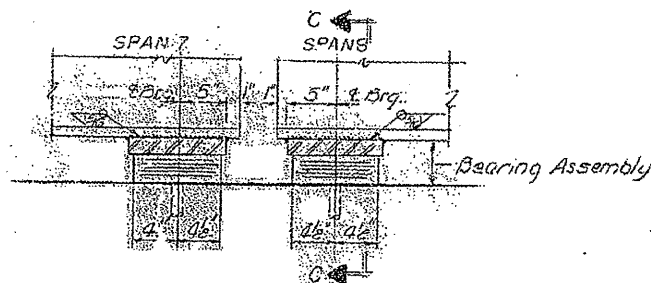
BEARING ASSEMBLY



PINTLE

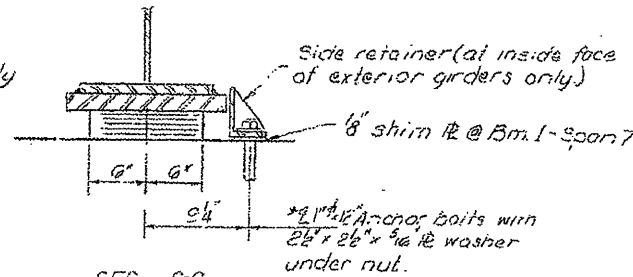


CROSS FRAME OF BRG. STIFFNER
(8 Required)

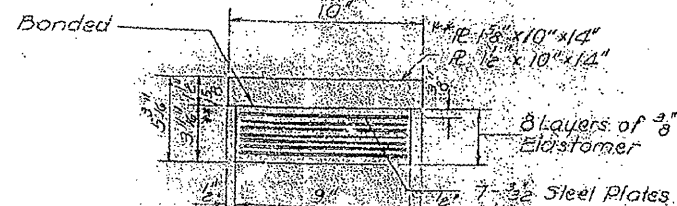


SECTION AT PIER

TYPE I ELASTOMERIC EXP. BRG.
PIER 8



SEC. C-C



BEARING DETAILS

PIERS 5, 6, 7, 8 & 9

F.A.R.T. 685 SEC. (390-2) B.A.

FOR INFORMATION ONLY

PLAN SHEETS