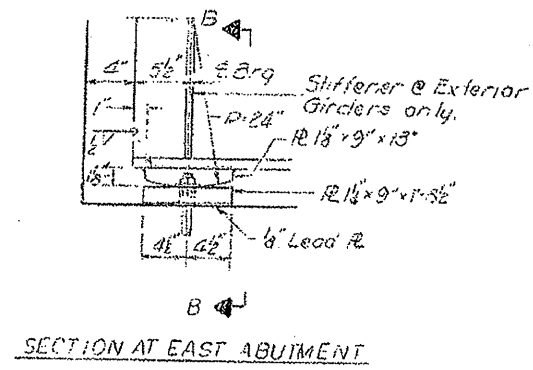
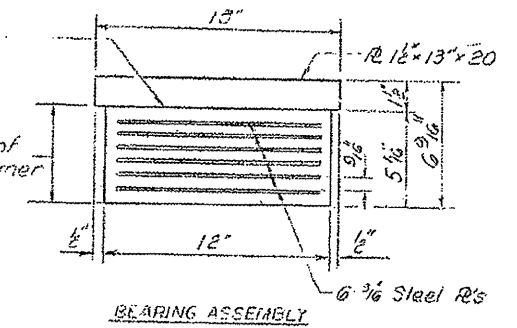
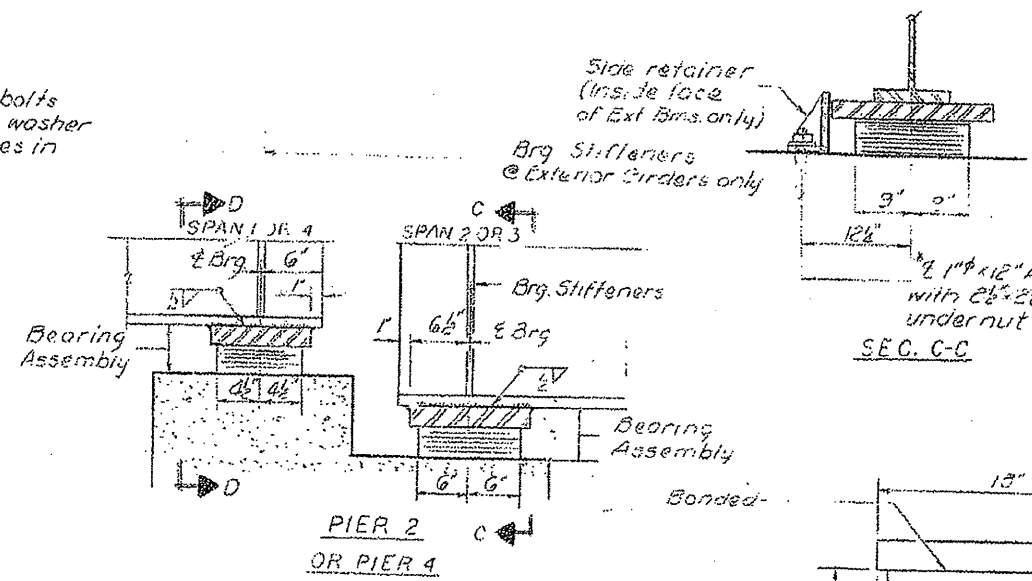
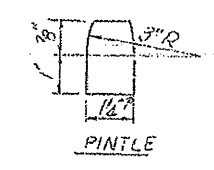
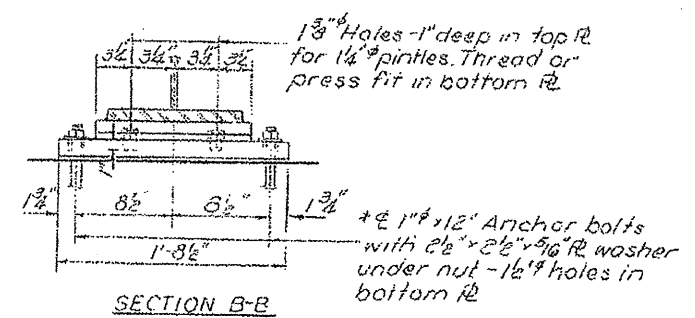


S.N.029-0036

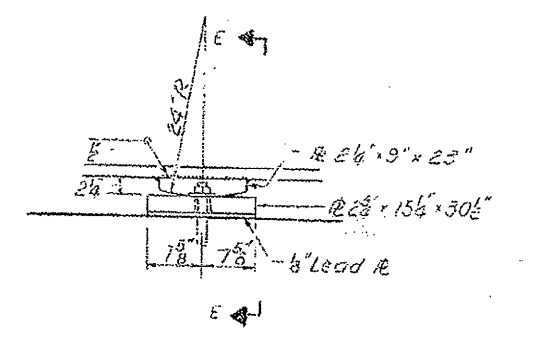
ROUTE	SECTION	COUNTY	TOTAL SHEETS	SHEET NO.
VARIOUS	D4 METALLIZING 2010	VARIOUS	22	22



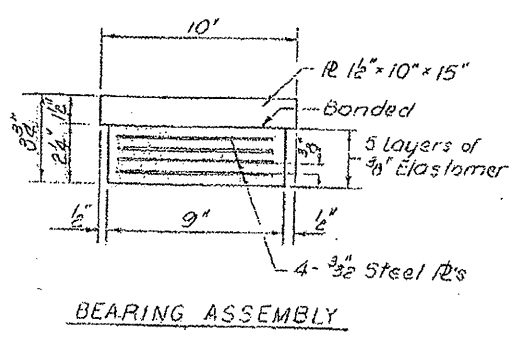
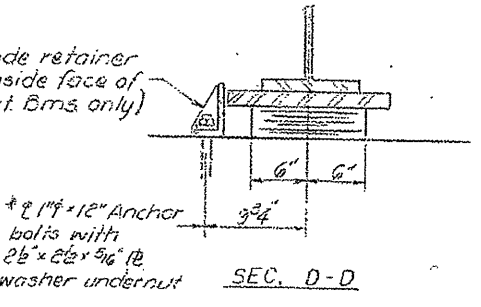
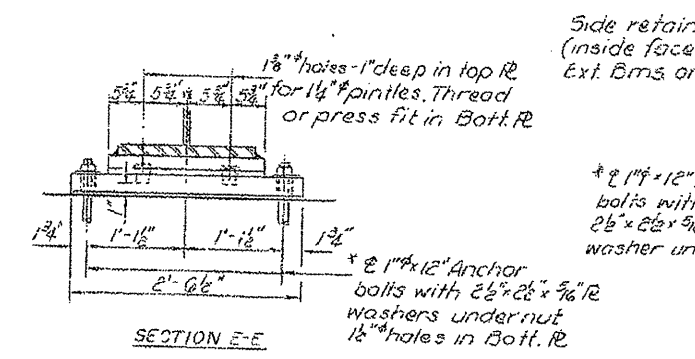
FIXED BEARING



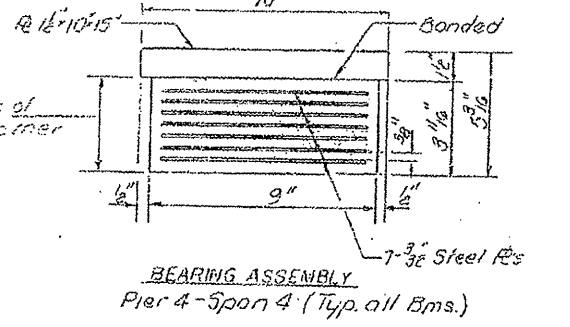
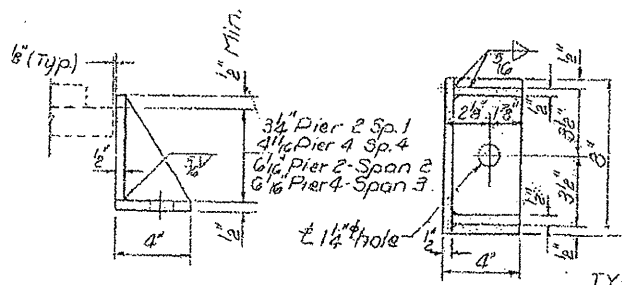
TYPE I ELASTOMERIC EXP. BEARING
Pier 2-Span 2 or Pier 4-Span 3 (Typ. all Bms.)



FIXED BEARING



TYPE I ELASTOMERIC EXP. BEARING
Pier 2-Span 1 (Typ. all Bms.)



TYPE I ELASTOMERIC EXP. BEARING
Pier 4-Span 4 (Typ. all Bms.)

FOR INFORMATION ONLY 029-0036 BEARINGS

PLAN SHEETS