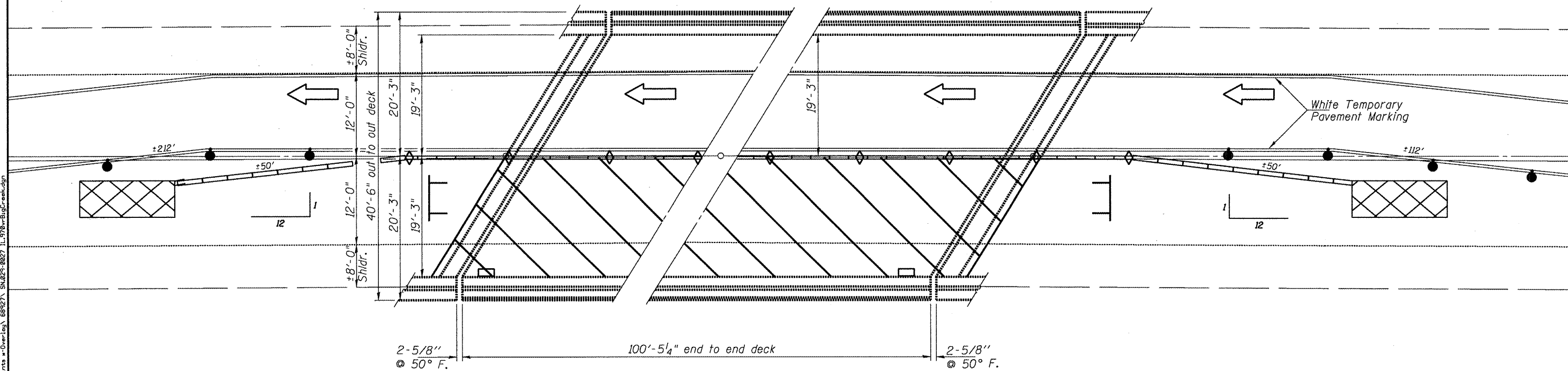


CROSS SECTION
(Looking East)



PLAN
(Stage II)

SYMBOLS

- Work Area
- Barrier Wall Marker
- Drum w/ steady burning light
- Temporary Concrete Barrier
- Temporary Concrete Barrier
- Impact Attenuator
- Type III Barricade

NOTES
Refer to Highway Standards 701201/701321 in conjunction with this sheet for exact placement of traffic management devices and other clarifications as construction staging symbols and dimensioning were duplicated off of these standards. Traffic staging sequence shall be at the discretion of the Engineer for given field applications. Staging lane widths recommended by the Bridge Office.

SN.029-0027 IL.
97ovrBig Creek

FILE NAME = SN.029-0027 IL.97ovr BigCreek.dgn	USER NAME = joneace	DESIGNED - CEJ	REVISED - ---	STATE OF ILLINOIS DEPARTMENT OF TRANSPORTATION	PROPOSED TRAFFIC CONTROL		F.A.P. RTE. 622	SECTION (128BR-1)I	COUNTY FULTON	TOTAL SHEETS 23	SHEET NO. 8
PLOT SCALE = 1/83.7051' / IN.	CHECKED - ---	REVISOR - ---	REVISOR - ---		SCALE: _____	SHEET NO. ____ OF ____ SHEETS	STA. _____ TO STA. _____	Misc. Structure Repairs		CONTRACT NO. 68927	
PLOT DATE = 2/5/2010	DATE - 01/25/2010	REVISOR - ---	REVISOR - ---				FED. ROAD DIST. NO. 4 ILLINOIS FED. AID PROJECT				