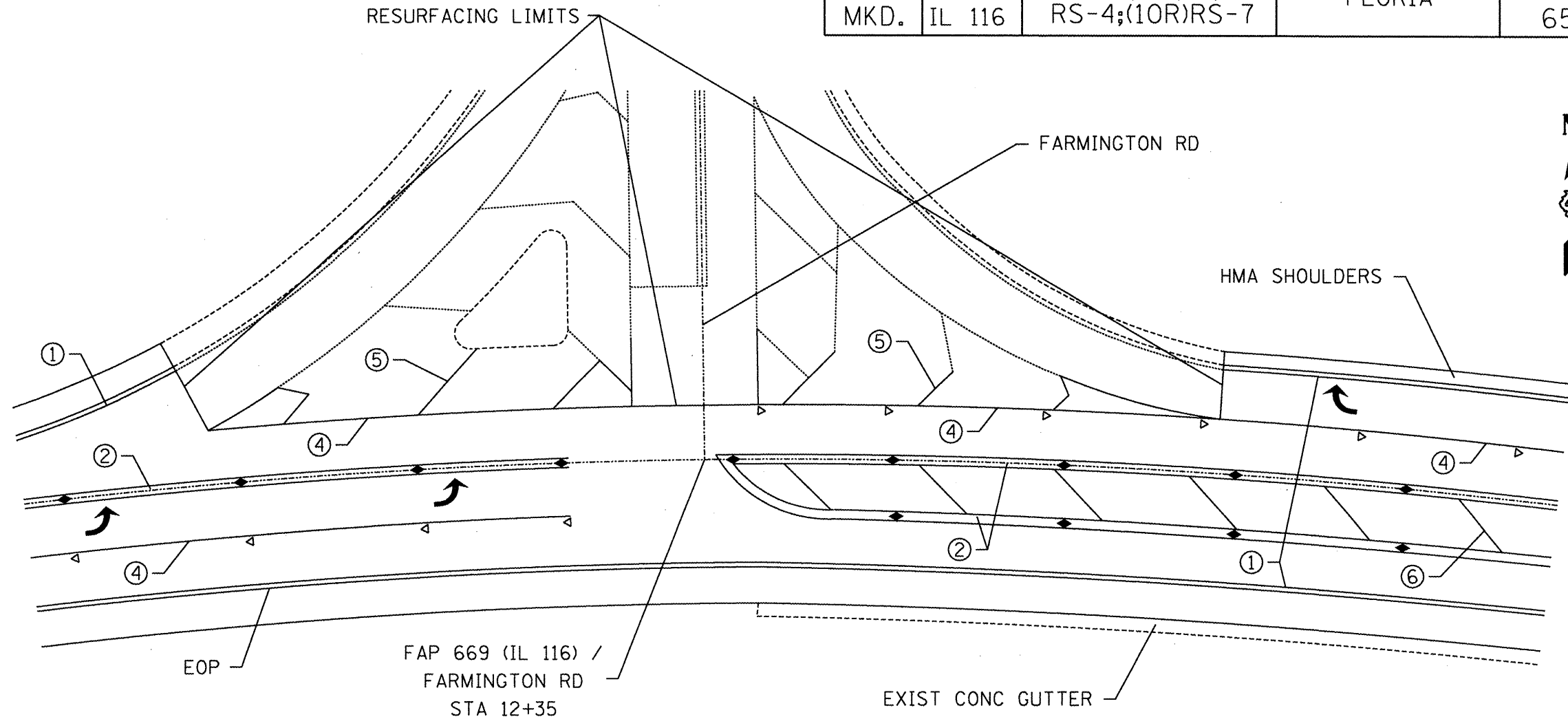


NOT TO SCALE

ROUTE		SECTION	COUNTY	SHEET	
F.A.P.	669	15RS-6;(14,13,11R)	PEORIA	TOTAL	NO.
MKD.	IL 116	RS-4;(10R)RS-7		65	41



- ① EPOXY PAVEMENT MARKING 4" WHITE
- ② EPOXY PAVEMENT MARKING 4" YELLOW
- ③ EPOXY PAVEMENT MARKING 6" WHITE
- ④ EPOXY PAVEMENT MARKING 8" WHITE
- ⑤ EPOXY PAVEMENT MARKING 12" WHITE
- ⑥ EPOXY PAVEMENT MARKING 12" YELLOW
- ⑦ EPOXY PAVEMENT MARKING 24" WHITE
- ⑧ ONE WAY CRYSTAL ◁
- ⑨ ONE WAY AMBER ◁
- ⑩ TWO WAY AMBER ◆

INTERSECTION DETAIL
IL 116 / FARMITNTON RD