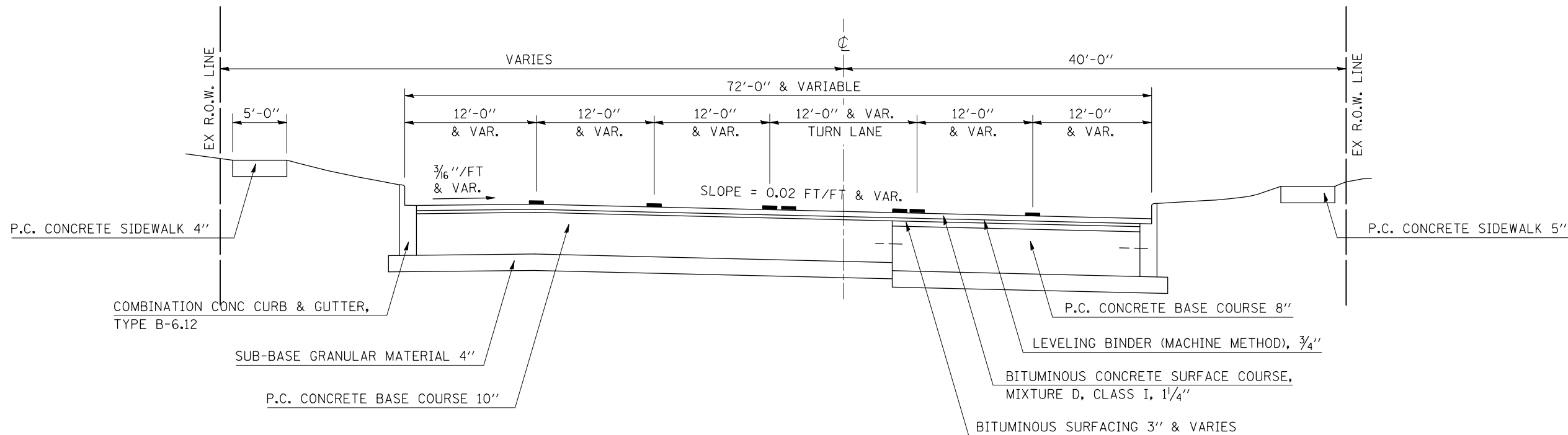


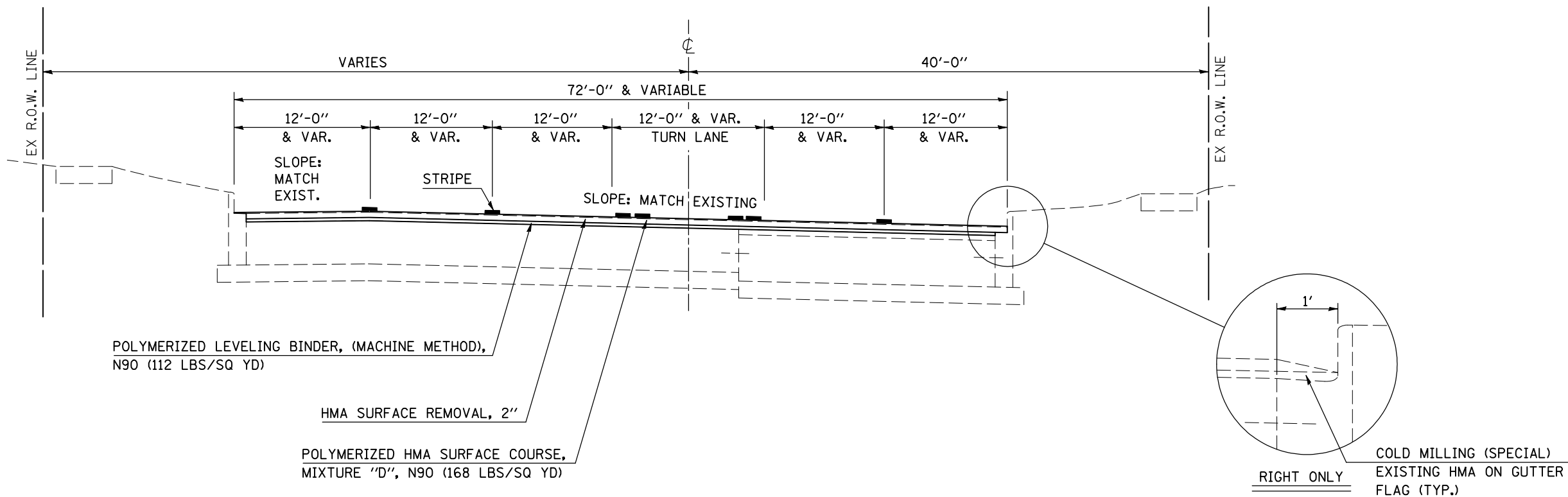
**EXISTING TYPICAL SECTION**

STATION TO STATION  
2349+60.04 2354+85.00



**10 PROPOSED TYPICAL SECTION**

STATION TO STATION  
⑨ 2349+60.04 2354+85.00 ⑪



FILE NAME =	USER NAME = hoganbj	DESIGNED -	REVISED -
ct:\pw\work\PWIDOT\HOGANBJ\d0104446\D570	117-shd-Typicals.dgn	DRAWN -	REVISED -
	PLOT SCALE = 40.0000' / IN.	CHECKED -	REVISED -
	PLOT DATE = 1/29/2010	DATE -	REVISED -

**STATE OF ILLINOIS  
DEPARTMENT OF TRANSPORTATION**

**EXISTING AND PROPOSED TYPICAL SECTION**

SCALE: N/A SHEET NO. 10 OF 15 SHEETS STA. TO STA.

F.A.P. RTE.	SECTION	COUNTY	TOTAL SHEETS	SHEET NO.
709	(113)RS-1	CHAMPAIGN	65	16
FED. ROAD DIST. NO. ILLINOIS FED. AID PROJECT			CONTRACT NO. 70117	