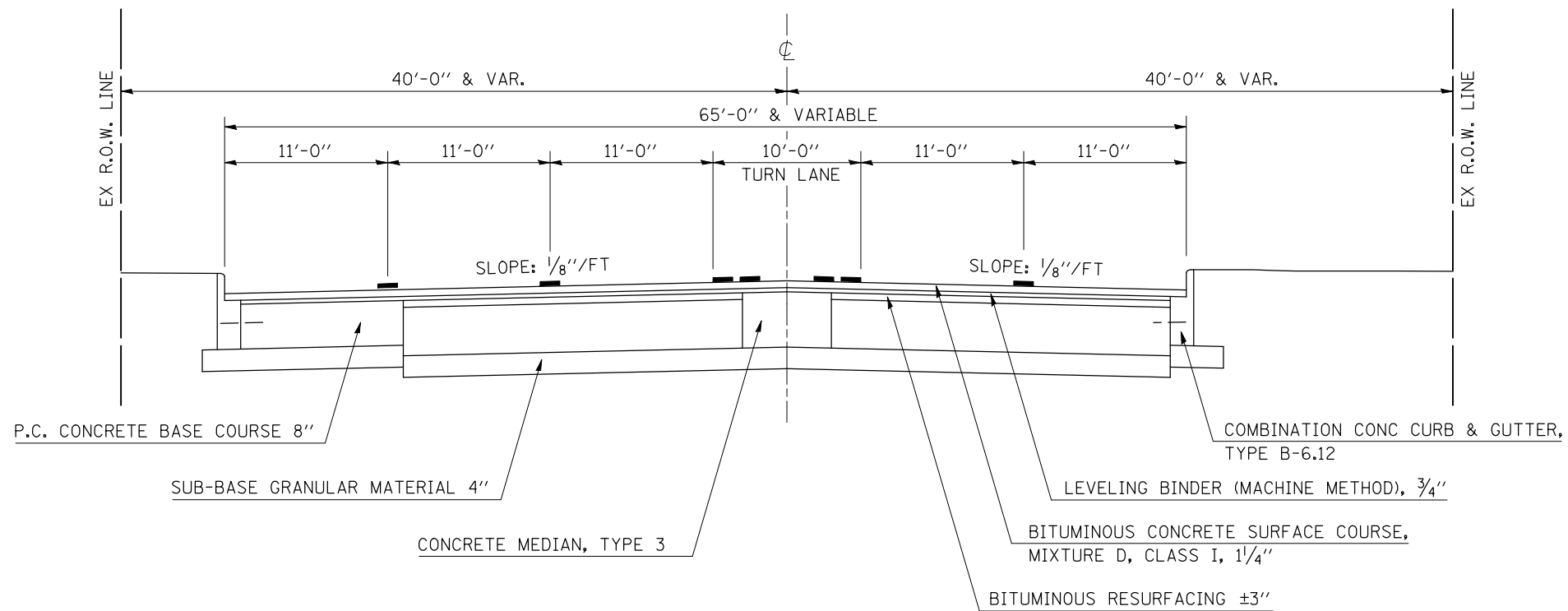


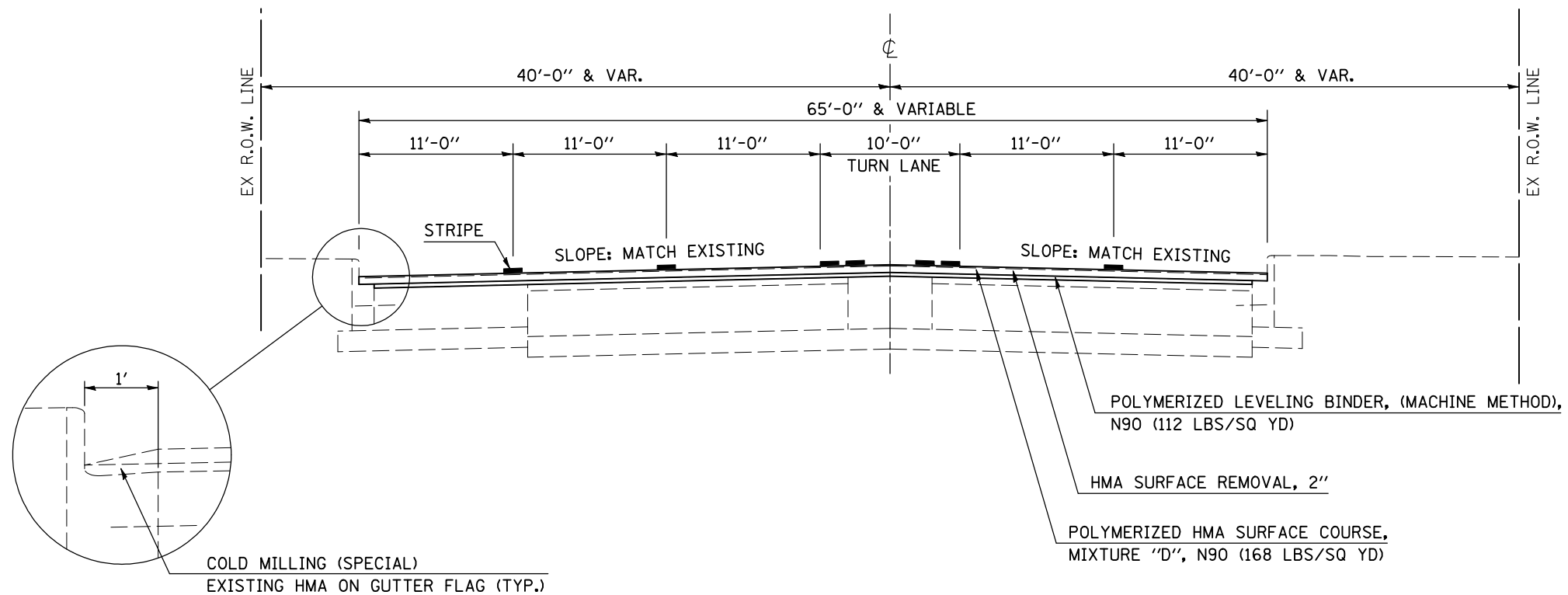
EXISTING TYPICAL SECTION

STATION TO STATION
2354+85.00 2356+00.00



11 PROPOSED TYPICAL SECTION

STATION TO STATION
10 2354+85.00 2356+00.00 12



FILE NAME =	USER NAME = hoganbj	DESIGNED -	REVISED -
ct:\pw\work\PWIDOT\HOGANBJ\d0104446\D570117-shd-Typicals.dgn		DRAWN -	REVISED -
	PLOT SCALE = 40.0000 ' / IN.	CHECKED -	REVISED -
	PLOT DATE = 1/29/2010	DATE -	REVISED -

**STATE OF ILLINOIS
DEPARTMENT OF TRANSPORTATION**

EXISTING AND PROPOSED TYPICAL SECTION

SCALE: N/A SHEET NO. 11 OF 15 SHEETS STA. TO STA.

F.A.P. RTE.	SECTION	COUNTY	TOTAL SHEETS	SHEET NO.
709	(113)RS-1	CHAMPAIGN	65	17
FED. ROAD DIST. NO. ILLINOIS FED. AID PROJECT			CONTRACT NO. 70117	