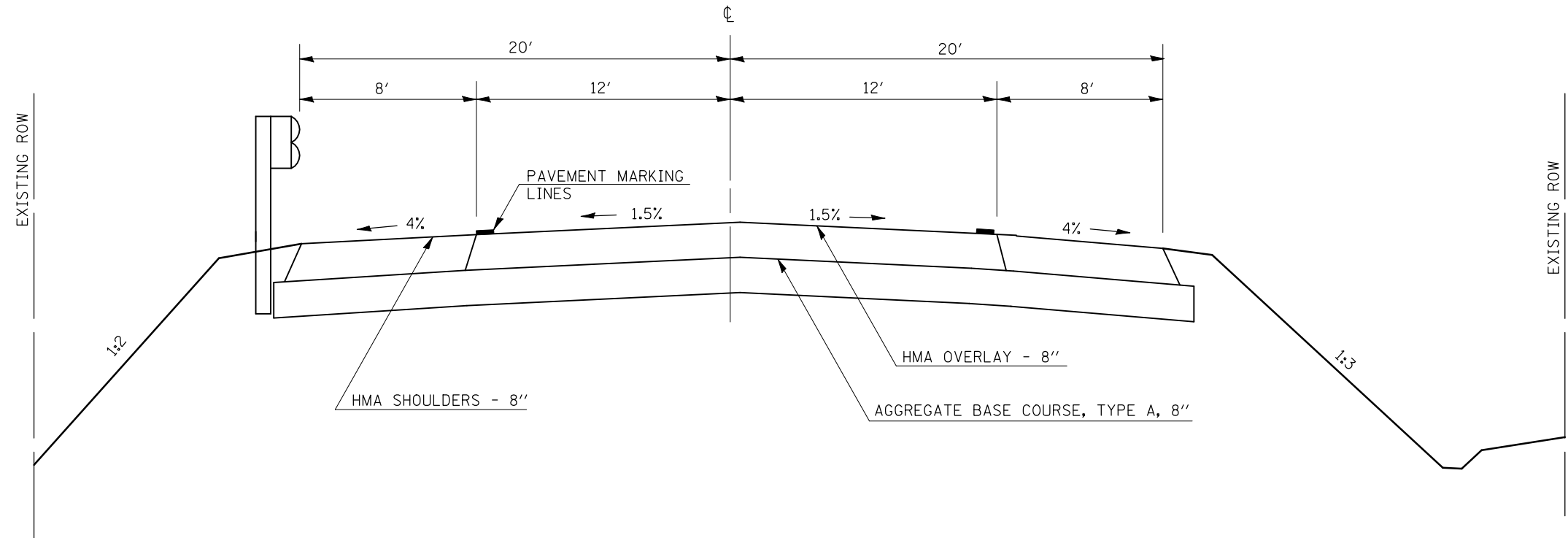


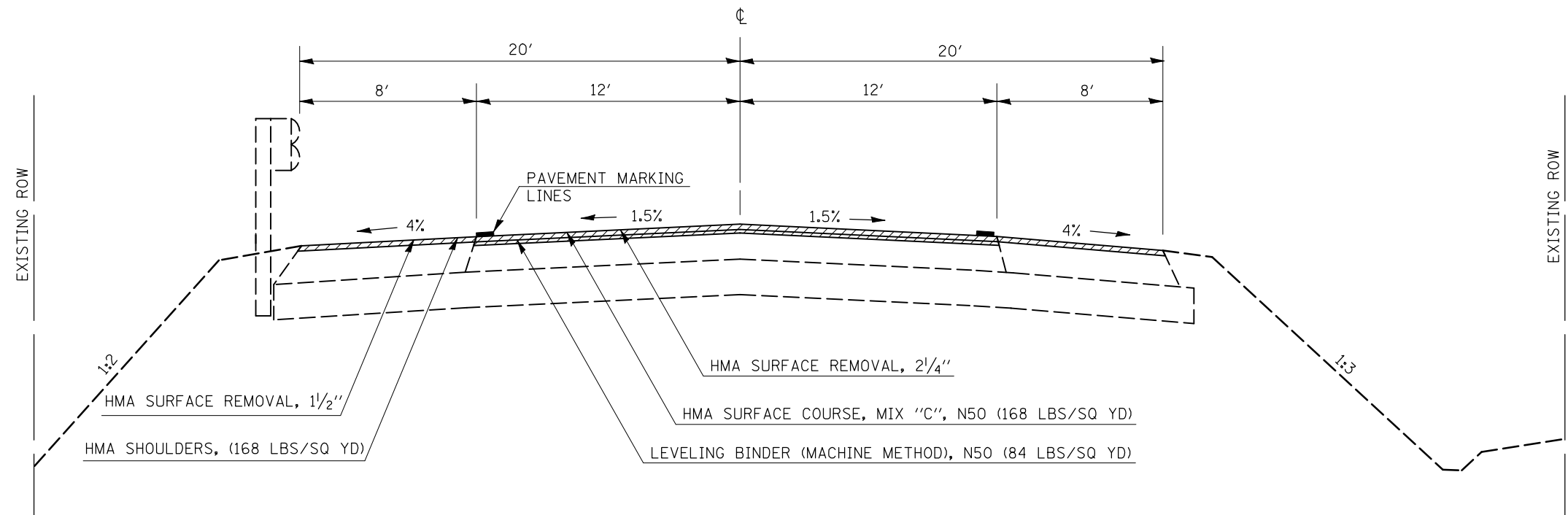
EXISTING TYPICAL CROSS SECTION 10

⑨ STA. 192 + 25.00 – STA. 196 + 22.82 ⑩



PROPOSED TYPICAL CROSS SECTION 10

⑨ STA. 192 + 25.00 – STA. 196 + 22.82 ⑩



• (48-X1)RS&(48-X2,RX,RX-1)RS-1

FILE NAME =	USER NAME = bowerml	DESIGNED - MLB	REVISED -
ct:\pw\work\p\dot\bowerml\d0145216\d570124-sh-typical.dgn		DRAWN - MLB	REVISED -
	PLOT SCALE = 40.0000' / IN.	CHECKED -	REVISED -
	PLOT DATE = 1/27/2010	DATE - 1/06/10	REVISED -

**STATE OF ILLINOIS
DEPARTMENT OF TRANSPORTATION**

TYPICAL CROSS SECTIONS

SCALE: SHEET NO. OF SHEETS STA. TO STA.

F.A. RTE.	SECTION	COUNTY	TOTAL SHEETS	SHEET NO.
		VERMILION	86	16
			CONTRACT NO. 70124	
ILLINOIS FED. AID PROJECT				