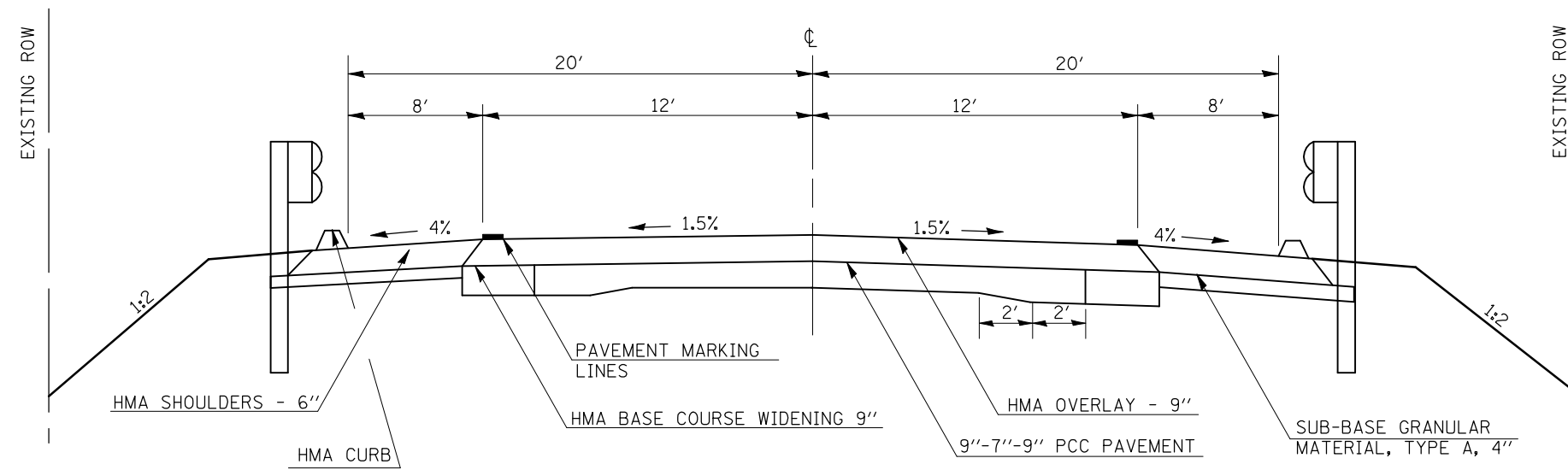


EXISTING TYPICAL CROSS SECTION 11

⑩ STA. 196 + 22.82 - STA. 202 + 00.00 ⑫

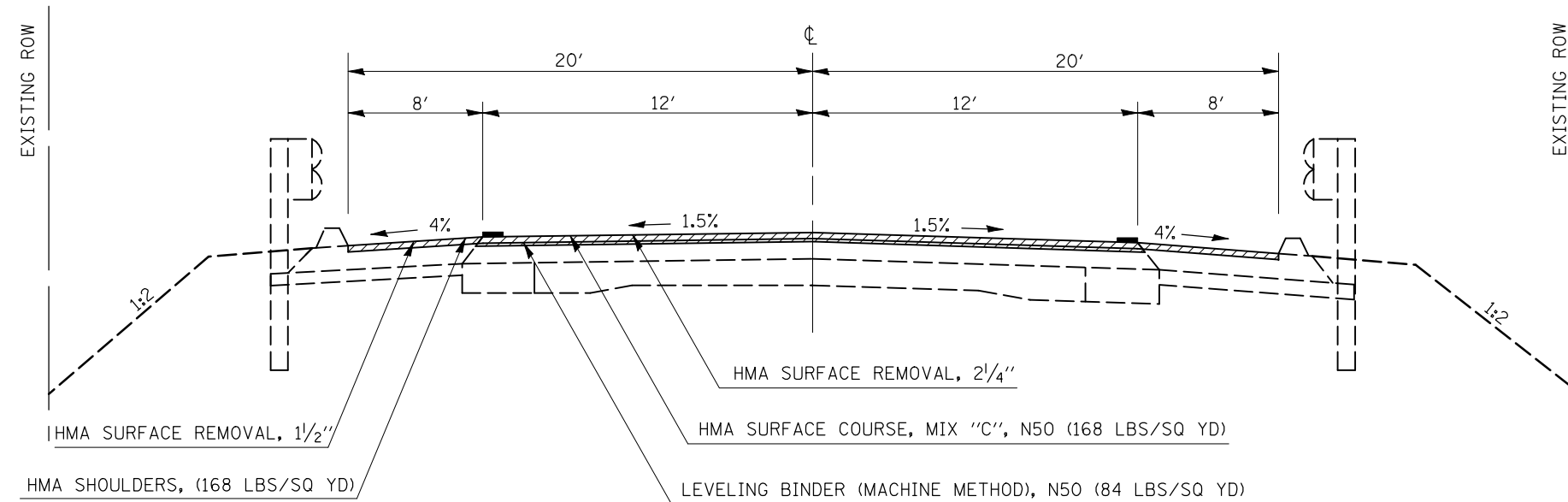
**SN 092-0205 OMISSION
STA. 196 + 22.82 TO STA. 201 + 04.68**



PROPOSED TYPICAL CROSS SECTION 11

⑩ STA. 196 + 22.82 - STA. 202 + 00.00 ⑫

**SN 092-0205 OMISSION
STA. 196 + 22.82 TO STA. 201 + 04.68**



• (48-X)RS&(48-X2,RX,RX-1)RS-1

FILE NAME =	USER NAME = bowerml	DESIGNED - MLB	REVISED -
ct:\pw\work\p\dot\bowerml\d0145216\d570124-shr-typical.dgn		DRAWN - MLB	REVISED -
PLOT SCALE = 40.0000' / IN.		CHECKED -	REVISED -
PLOT DATE = 1/27/2010		DATE - 1/06/10	REVISED -

**STATE OF ILLINOIS
DEPARTMENT OF TRANSPORTATION**

TYPICAL CROSS SECTIONS

SCALE: SHEET NO. OF SHEETS STA. TO STA.

F.A. RTE.	SECTION	COUNTY	TOTAL SHEETS	SHEET NO.
	*	VERMILION	86	17
			CONTRACT NO. 70124	
ILLINOIS FED. AID PROJECT				