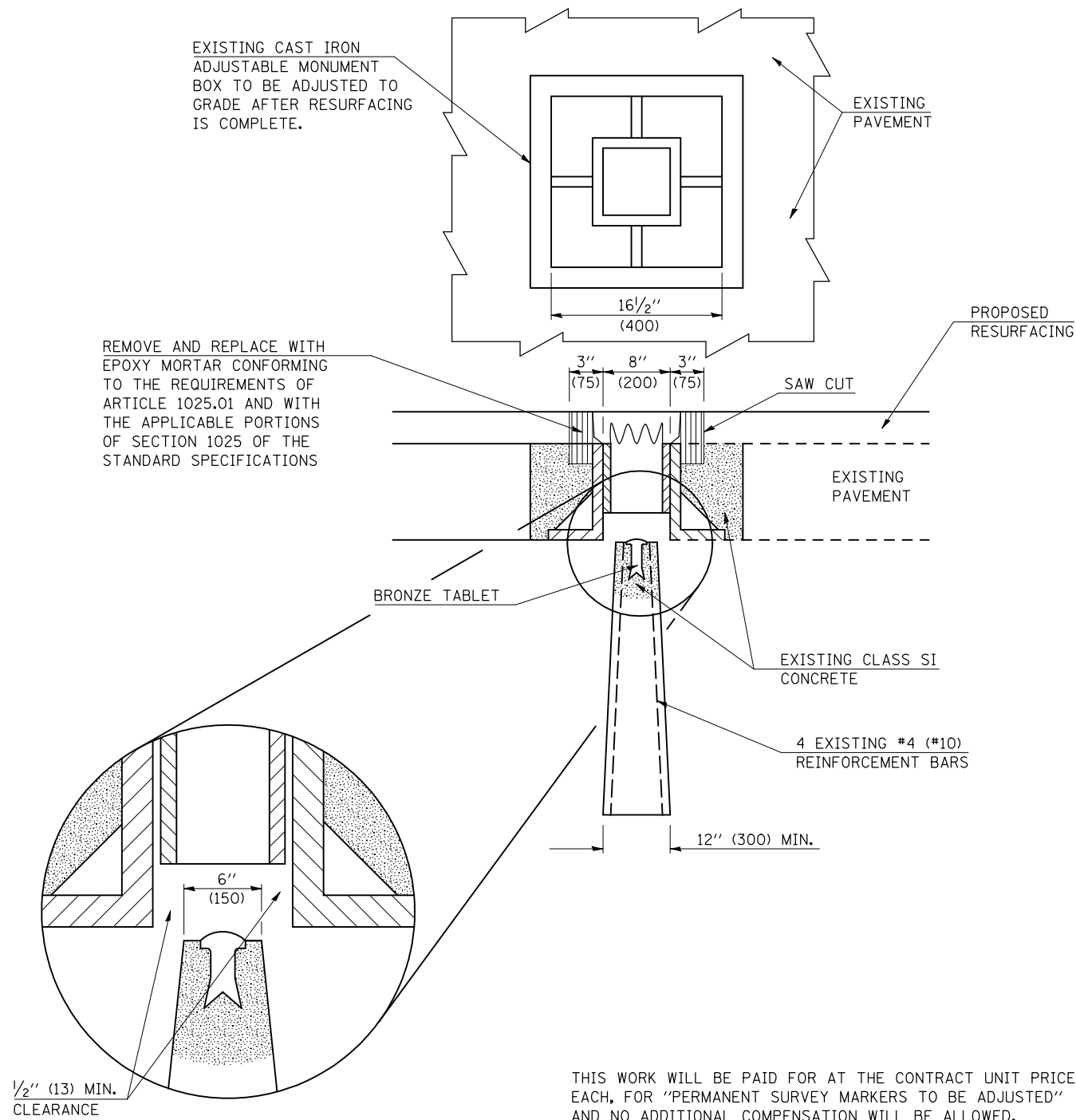


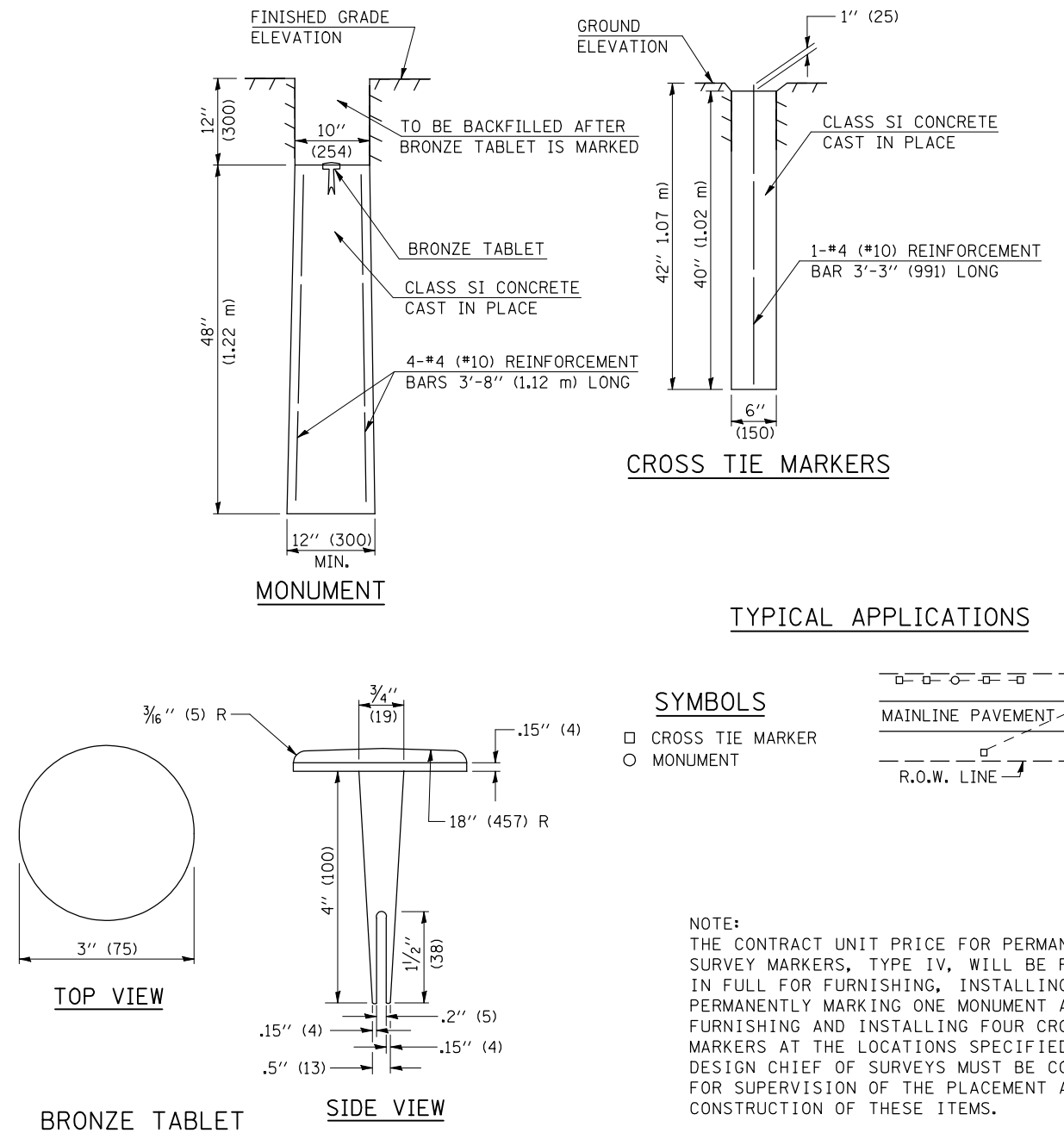
66700110 – PERMANENT SURVEY MARKERS TO BE ADJUSTED

TO BE INSTALLED FOR PRESERVING EXISTING CAST IRON PERMANENT SURVEY MARKERS, TYPE III



66700505 – PERMANENT SURVEY MARKERS, TYPE IV

TO BE INSTALLED IN PAVEMENT OR TURF AREAS WITHIN THE RIGHT-OF-WAY FOR PRESERVING LAND SURVEY MONUMENTS (SECTION OR SUBSECTION CORNERS) UNDER DIRECTION OF THE CHIEF OF SURVEYS



Note: All dimensions are in INCHES (millimeters) unless otherwise shown.

*(48-X1)RS&(48-X2,RX,RX-1)RS-1

DISTRICT 5 DETAIL NO. 66700AAA

FILE NAME =	USER NAME = bowerml	DESIGNED -	REVISED - 11/06
ct:\pw_work\pmsdot\bowerml\d0145216\70124	details.dgn	DRAWN -	REVISED -
	PLOT SCALE = 40.0000' / IN.	CHECKED -	REVISED -
	PLOT DATE = 1/26/2010	DATE -	REVISED -

STATE OF ILLINOIS
DEPARTMENT OF TRANSPORTATION

PERMANENT SURVEY MARKERS (TYPE IV AND ADJUSTED)

SCALE: SHEET NO. OF SHEETS STA. TO STA.

F.A.P. RTE.	SECTION	COUNTY	TOTAL SHEETS	SHEET NO.
332	*	VERMILION	86	64
CONTRACT NO. 70124				
FED. ROAD DIST. NO. ILLINOIS FED. AID PROJECT				