

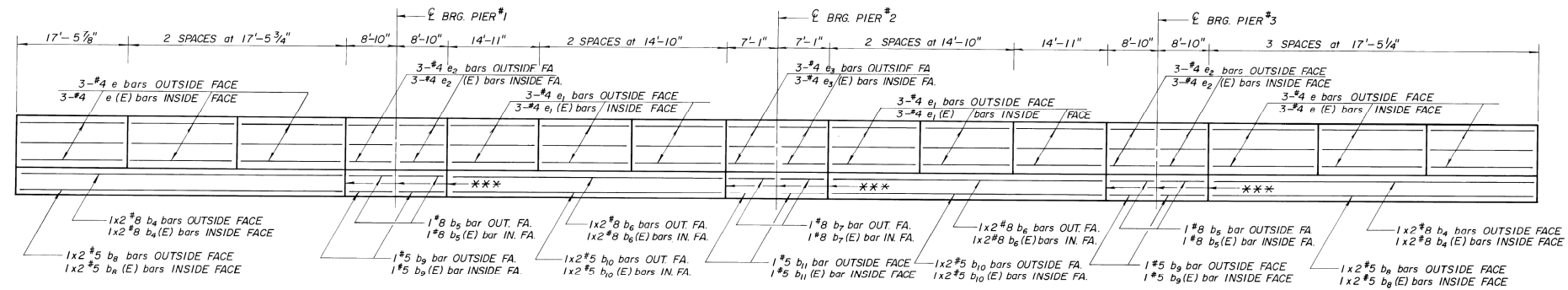
EXISTING SUPERSTRUCTURE DETAILS

S.N. 057-0110

(FOR INFORMATION ONLY)

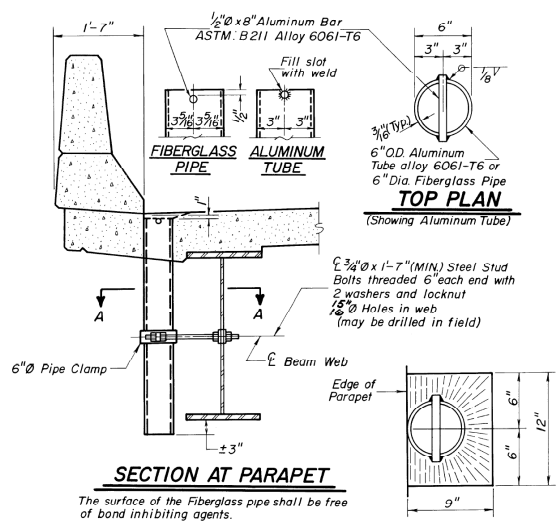
F.A.S. ROUTE NO.	SEC.	COUNTY	TOTAL SHEETS	SHEET NO.
2484	126 BR	MC LEAN	18	9

BRIDGE SHEET 4 OF 13



BARS INDICATED THUS: 1x2-#8 b₂ ETC. INDICATES
1 LINE OF BARS WITH 2 LENGTHS PER LINE.
MIN. LAP REQUIRED
#5 BAR - 1'-8"
#8 BAR - 3'-8"

PARAPET JOINT SPACING
(ALONG INSIDE FACE)
*** 1/8" ALUMINUM SHEET JOINT IN BASE OF PARAPET



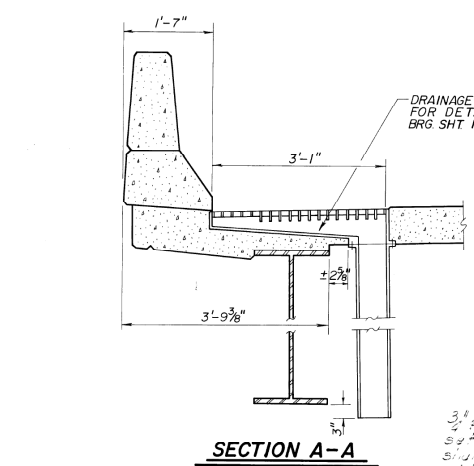
SECTION AT PARAPET
The surface of the Fiberglass pipe shall be free of bond inhibiting agents.

TOP PLAN
NOTE: Fiberglass pipe shall conform to ASTM D2596 with short-time rupture strength hoop tensile stress of 30,000 psi min.

The exterior surfaces of the Floor Drain shall be painted with the Vinyl enamel coat painting specified for Structural Steel. The exterior surfaces of the Aluminum pipe shall be cleaned and given a washcoat pretreatment in accordance with Steel Structural Painting Councils Spec. SSPC-SP1 and SSPC-Paint 27 prior to painting.

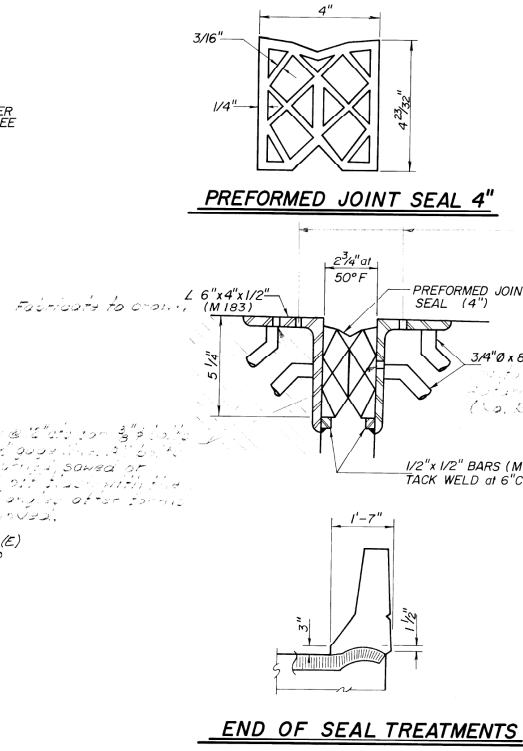
6" Pipe Clamp
6" Beam Web
Edge of Parapet
1/8" Fabric Pad

*** Dimension as required by Pipe Clamp



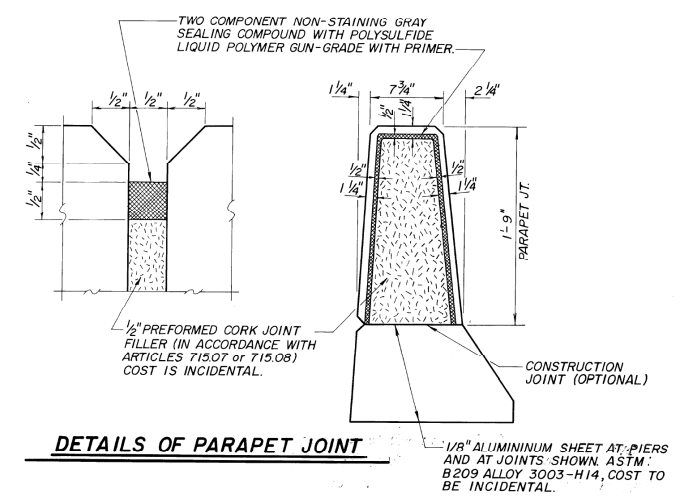
SECTION A-A

DRAINAGE SCUPPER PLAN
NOTE: CUT LONGITUDINAL AND TRANSVERSE REINFORCEMENT AS NECESSARY TO CLEAR DRAINS BY 2" MIN. COST INCIDENTAL.



PREFORMED JOINT SEAL 4"

END OF SEAL TREATMENTS



DETAILS OF PARAPET JOINT

1/8" ALUMINUM SHEET AT PIERS AND AT JOINTS SHOWN ASTM B209 ALLOY 3003-H14, COST TO BE INCIDENTAL.

SUPERSTRUCTURE DETAILS
F.A.S. ROUTE 2484
SECTION 126 BR
MC LEAN COUNTY
STA. 826 + 78.00

FILE NAME =	USER NAME = coombessf	DESIGNED - RTC	REVISED -	STATE OF ILLINOIS DEPARTMENT OF TRANSPORTATION	EXISTING SUPERSTRUCTURE DETAILS S.N. 057-0110	F.A.S. RTE.	SECTION	COUNTY	TOTAL SHEETS	SHEET NO.
ca:\pwwork\pwwork\COMBESSF\dms87296\78510_bridg_repair_sht.dgn		DRAWN - RTC	REVISED -			2484	(125,126,127)RS-2	MCLEAN	122	44
PLOT SCALE = 40.0001' / IN.		CHECKED -	REVISED -			CONTRACT NO. 70510				
PLOT DATE = 1/13/2010		DATE -	REVISED -			ILLINOIS FED. AID PROJECT				