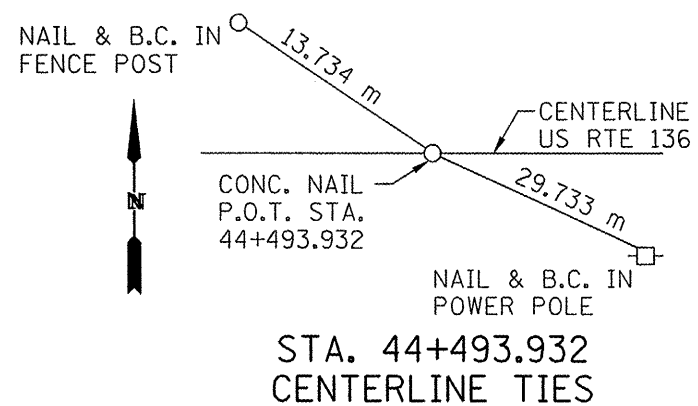
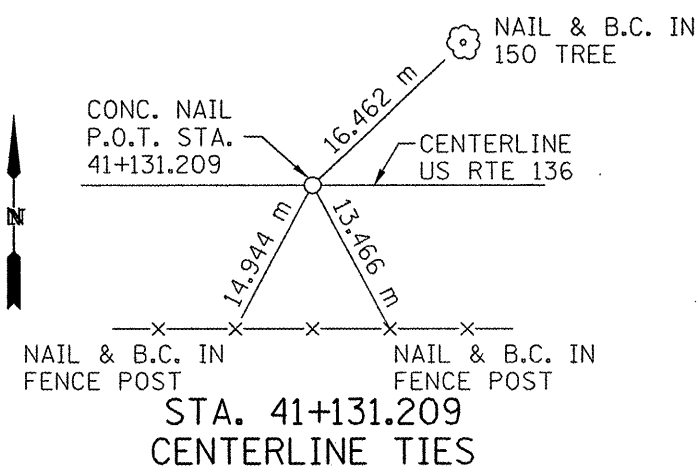
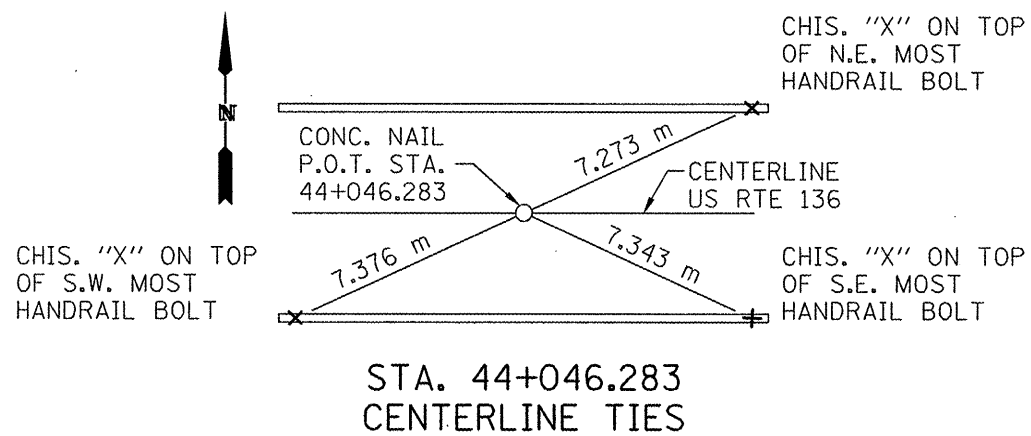
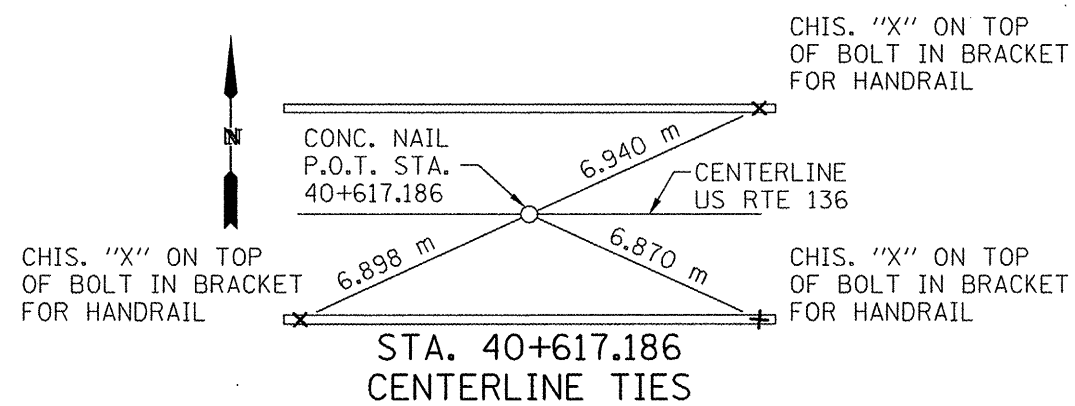
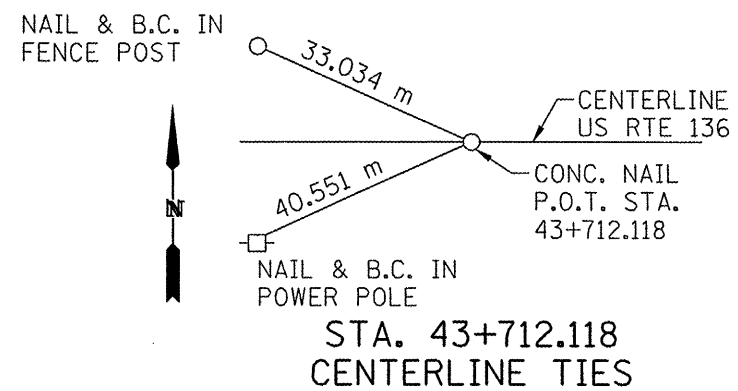
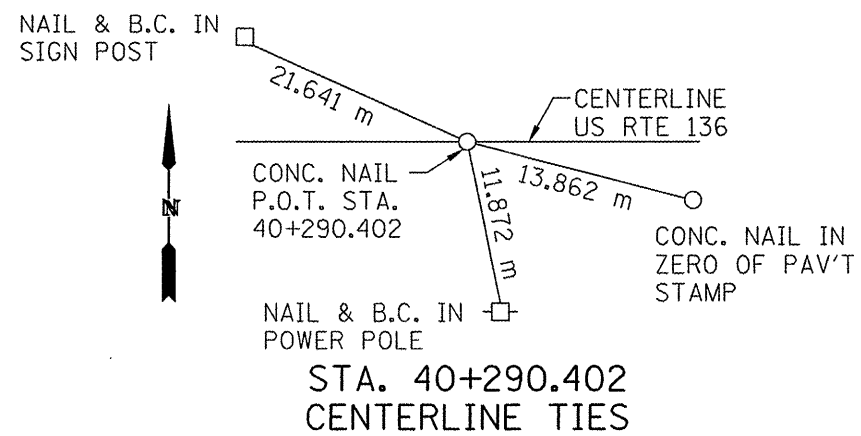


SURVEY CROSS-TIES

CONTRACT NO. 70529

F.A.P. RTE.	SECTION	COUNTY	TOTAL SHEETS	SHEET NO.
315	(102X)BR-3	MCLEAN	42	6
STA. _____		TO STA. _____		
FED. ROAD DIST. NO. _____		ILLINOIS FED. AID PROJECT		



PLOT DATE = 1/28/2018
 FILE NAME = c:\pwork\p\m\DOT\ASHER\RM\40186598\0570529-ahc-eb.dgn
 PLOT SCALE = 8.8486 m / IN.
 USER NAME = asher-jm

REVISIONS		ILLINOIS DEPARTMENT OF TRANSPORTATION ALIGNMENT TIES & BENCHMARKS
NAME	DATE	
		F.A.P. ROUTE 315 SECTION (102X)BR-3 MCLEAN COUNTY DRAWN BY CHECKED BY
DATE		