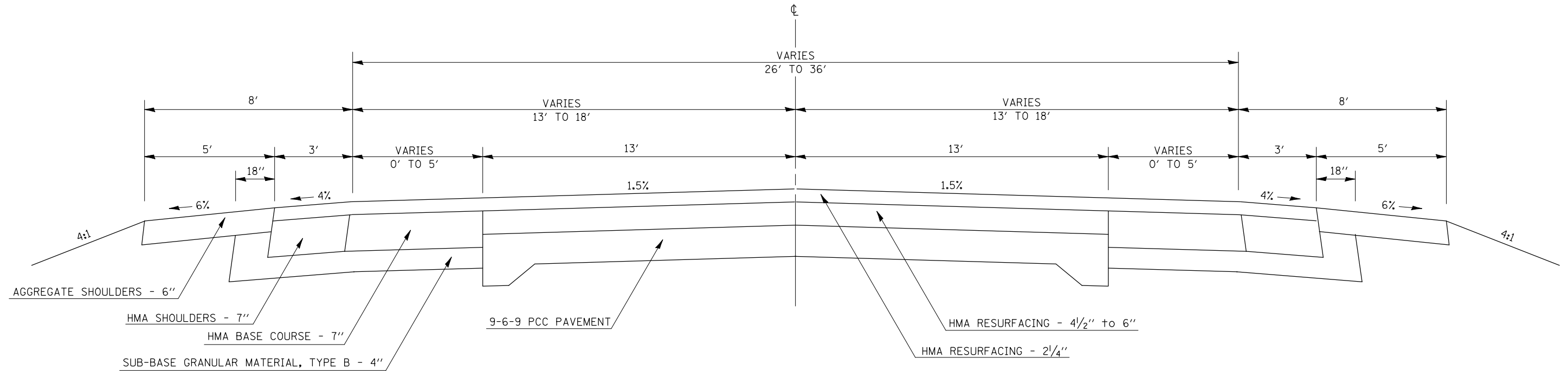


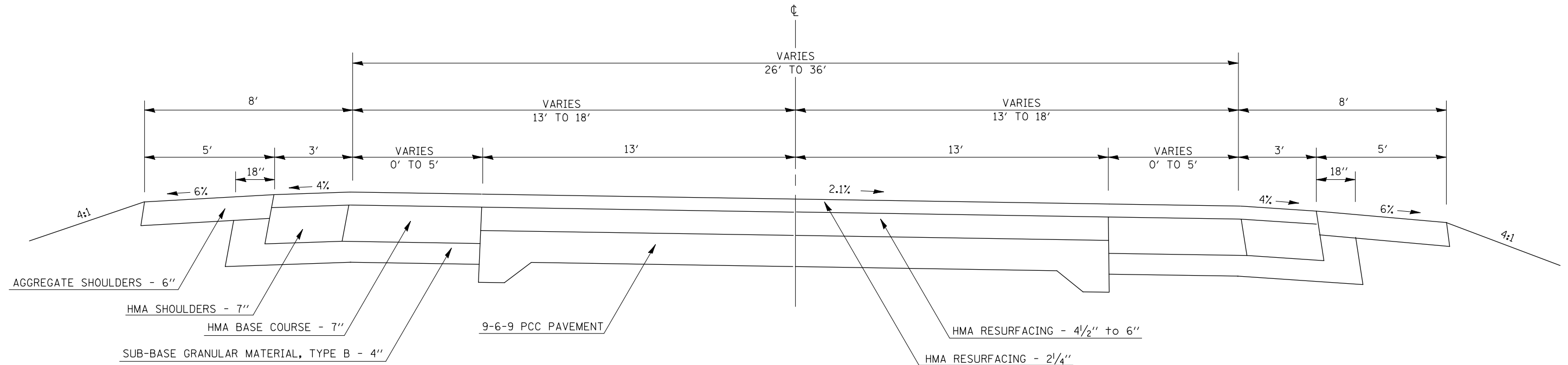
EXISTING TYPICAL CROSS SECTION 7

U.S. 150
STATION 303+87.00 TO STATION 308+21.39



EXISTING TYPICAL CROSS SECTION 8

U.S. 150 - CURVE RIGHT
STATION 308+21.39 TO STATION 310+36.39 S.E. TRANSITION
STATION 310+36.39 TO STATION 311+21.83 FULL S.E.
STATION 314+77.00 TO STATION 316+61.00 FULL S.E.



FILE NAME =	USER NAME = bowerml	DESIGNED -	REVISED -	STATE OF ILLINOIS DEPARTMENT OF TRANSPORTATION	EXISTING TYPICAL SECTIONS				F.A.U. RTE.	SECTION	COUNTY	TOTAL SHEETS	SHEET NO.	
ct:\pwwork\pwidot\BOWERML\d0115116\d570539-sh1-typ001.dgn		DRAWN -	REVISED -		SCALE:	SHEET NO.	OF SHEETS	STA.	TO STA.	6406	IRS-3	MCLEAN	33	9
		CHECKED -	REVISED -											
		DATE -	REVISED -											
									CONTRACT NO. 70539					
									ILLINOIS FED. AID PROJECT					