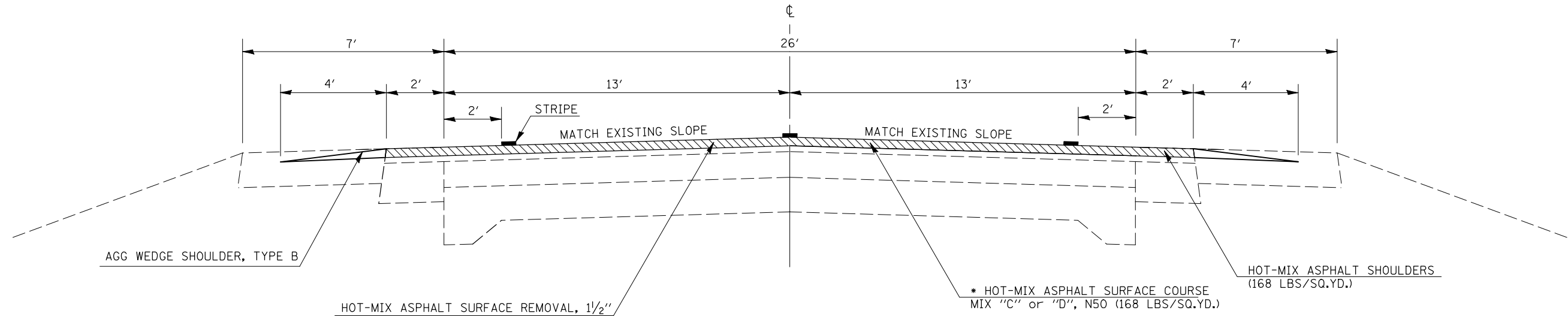


# PROPOSED TYPICAL CROSS SECTION ③

U.S. 150

STATION 149+00.00 TO STATION 245+60.00  
 STATION 264+54.70 TO STATION 288+55.83  
 STATION 301+65.50 TO STATION 303+87.00  
 STATION 321+13.75 TO STATION 327+00.00  
 STATION 376+00.00 TO STATION 379+04.50  
 STATION 392+08.16 TO STATION 392+60.00  
 STATION 397+50.00 TO STATION 400+91.00



\* WEST OF STA. 306+87 USE HOT-MIX ASPHALT SURFACE COURSE MIX "C" N50  
 EAST OF STA. 306+87 USE HOT-MIX ASPHALT SURFACE COURSE MIX "D" N50

# PROPOSED TYPICAL CROSS SECTION ④

U.S. 150 - CURVE RIGHT

STATION 264+50.00 TO STATION 266+54.70 S.E. TRANSITION

U.S. 150 - CURVE LEFT

STATION 288+55.83 TO STATION 290+80.83 S.E. TRANSITION

STATION 290+80.83 TO STATION 299+40.50 FULL S.E.

STATION 299+40.50 TO STATION 301+65.50 S.E. TRANSITION

U.S. 150 - CURVE RIGHT

STATION 316+61.00 TO STATION 318+98.75 FULL S.E.

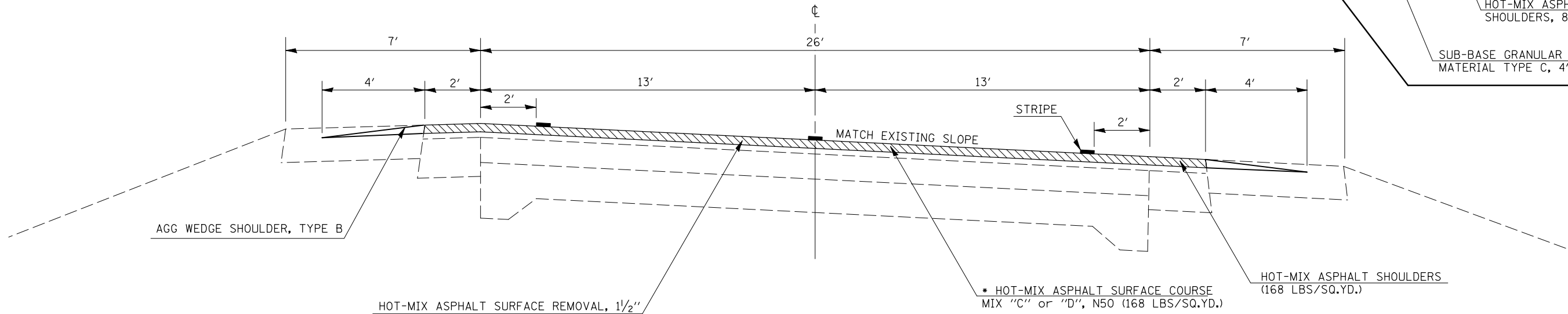
STATION 318+98.75 TO STATION 321+13.75 TRANSITION

U.S. 150 - CURVE LEFT

STATION 379+04.50 TO STATION 381+19.50 S.E. TRANSITION

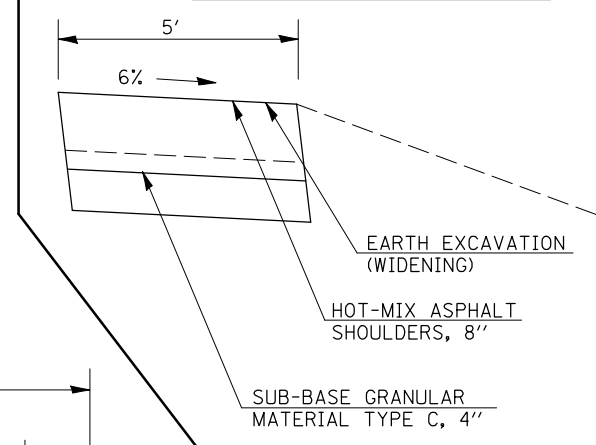
STATION 381+19.50 TO STATION 389+93.16 FULL S.E.

STATION 389+93.16 TO STATION 392+08.16 S.E. TRANSITION



\* WEST OF STA. 306+87 USE HOT-MIX ASPHALT SURFACE COURSE MIX "C" N50  
 EAST OF STA. 306+87 USE HOT-MIX ASPHALT SURFACE COURSE MIX "D" N50

STA. 386+18 LT TO STA. 392+30 LT



FILE NAME =	USER NAME = bowerml	DESIGNED -	REVISED -	<b>STATE OF ILLINOIS DEPARTMENT OF TRANSPORTATION</b>	<b>PROPOSED TYPICAL SECTIONS</b>				F.A.U. RTE.	SECTION	COUNTY	TOTAL SHEETS	SHEET NO.
et:\pw\work\PIWIDOT\BOWERML\d0115116\d570539-sh-typical.dgn		DRAWN -	REVISED -		6406	IRS-3	MCLEAN	33	12				
PLOT SCALE = 40.0000' / IN.		CHECKED -	REVISED -		CONTRACT NO. 70539								
PLOT DATE = 1/29/2010		DATE -	REVISED -		SCALE:	SHEET NO.	OF SHEETS	STA.	TO STA.	ILLINOIS FED. AID PROJECT			