

**GENERAL NOTES**

- Fasteners shall be AASHTO M164 Type 1, mechanically galvanized bolts. Bolts  $\frac{7}{8}$  in.  $\phi$ , holes  $\frac{15}{16}$  in.  $\phi$ , unless otherwise noted.
- Calculated weight of Grade 36 Structural Steel = 16,930 lbs  
Calculated weight of Grade 50 Structural Steel = 239,460 lbs.
- No field welding is permitted except as specified in the contract documents.
- Reinforcement bars shall conform to the requirements of ASTM A 706 Gr 60. See Special Provisions.
- Reinforcement bars designated (E) shall be epoxy coated.
- Bearing seat surfaces shall be constructed or adjusted to their designated elevations within a tolerance of  $\frac{1}{8}$  inch (0.01 ft.). Adjustment shall be made either by grinding the surface or by shimming the bearings.
- The Inorganic Zinc Rich Primer / Acrylic / Acrylic Paint System shall be used for shop and field painting of new structural steel except where otherwise noted. The color of the final finish coat for all interior steel surfaces shall be gray, Munsell No. 5B 7/1. The color of the final finish coat for the exterior and bottom flange of the fascia beams shall be interstate green, Munsell color Standard 7.5G 4/8. See Special Provision for "Cleaning and Painting New Metal Structures".
- Sloped wall shall be reinforced with welded wire fabric, 6" x 6" - W4.0 x W4.0, weighing 58 lbs. per 100 sq. ft.
- The Contractor is advised that the existing PPC I beams are in a deteriorated condition with reduced load carrying capacity. It is the Contractor's responsibility to account for the conditions of the beams when developing construction procedures for removal and replacement of the Superstructure.
- If the Contractor's procedures for existing PPC I beam removal or replacement of new beams involves the placement of heavy equipment on the existing deck, a detailed procedure shall be provided which includes calculations, sealed by an Illinois licensed Structural Engineer, verifying the adequacy of the existing structure, for the proposed loads. This cost shall be included in the contract unit cost, each, for Removal of Existing Structure.
- Slip forming of the parapets will not be allowed.
- An aluminum tablet of the type shown on Standard 667101 shall be placed on the proposed structure as directed by the Engineer. The bench mark elevation will be established and marked by the Department. This work will be paid for at the contract unit price each for PERMANENT BENCH MARKS.

STATE OF ILLINOIS  
DEPARTMENT OF TRANSPORTATION

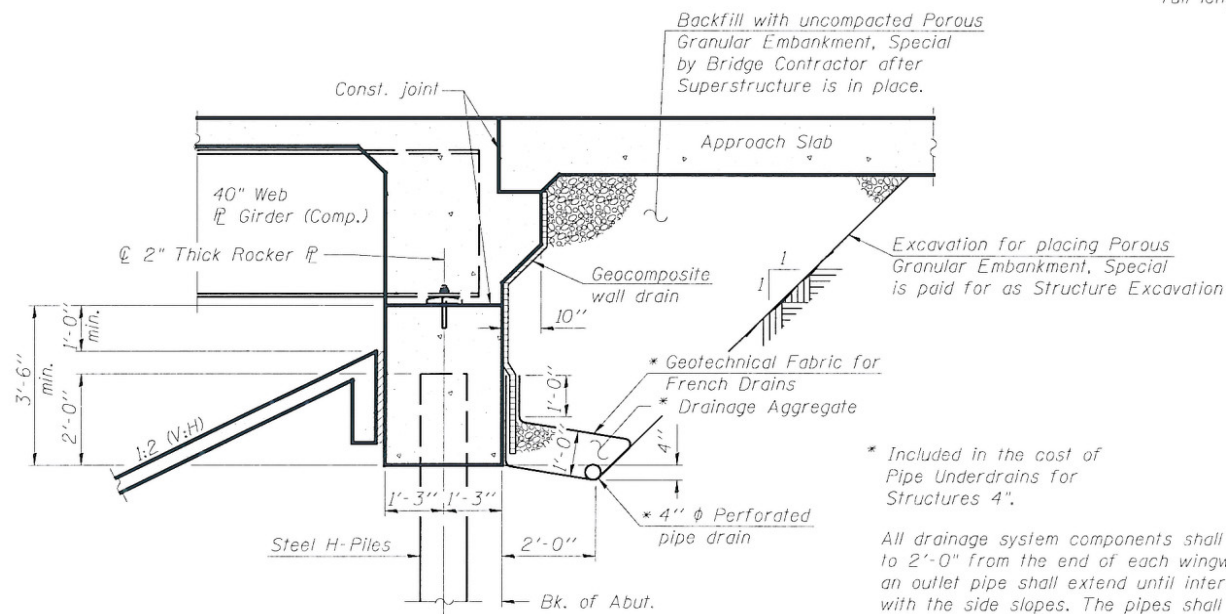
**INDEX OF SHEETS**

- General Plan and Elevation
- General Data
- Top of Slab Elevation Plan
- Top of Slab Elevations
- Top of North Approach Slab Elevations
- Top of South Approach Slab Elevations
- Superstructure Plan
- Superstructure Details
- Integral Abutment Diaphragm Details
- Bridge Approach Slab Details
- Bridge Approach Slab Details
- Framing Plan
- Structural Steel Details
- Bearing Details
- Abutments
- Pier
- HP Pile Details
- Bar Splicer Assembly Details
- Drainage Scupper, DS-II
- Subsurface Diagram

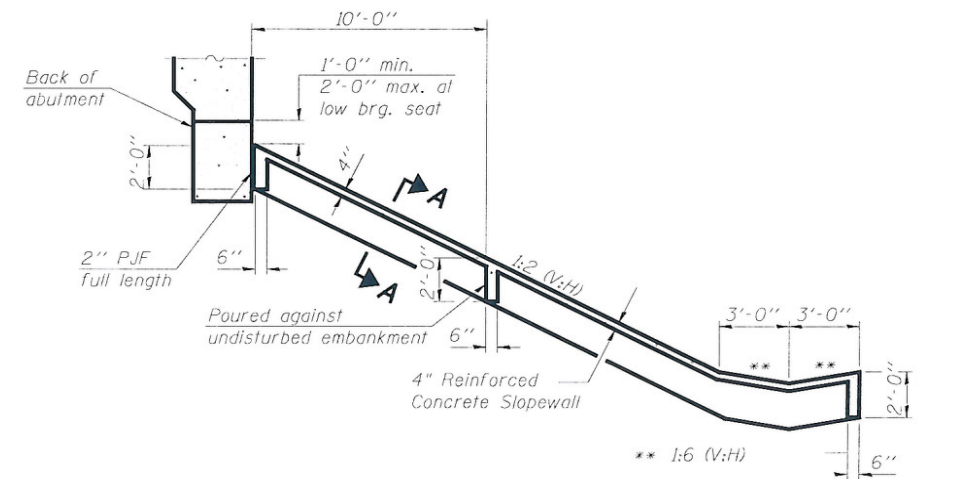
**TOTAL BILL OF MATERIAL**

ITEM	UNIT	SUPER	SUB	TOTAL
* Porous Granular Embankment, Special	Cu. Yd.	--	111	111
Removal of Existing Structures	Each	1	--	1
Protective Shield	Sq. Yd.	404	--	404
Structure Excavation	Cu. Yd.	--	226	226
Concrete Structures	Cu. Yd.	--	143.7	143.7
# Concrete Superstructure	Cu. Yd.	341.5	--	341.5
# Bridge Deck Grooving	Sq. Yd.	815	--	815
Concrete Encasement	Cu. Yd.	--	19.4	19.4
# Protective Coat	Sq. Yd.	1135	--	1135
Furnishing & Erecting Structural Steel	L. Sum	1	--	1
Stud Shear Connectors	Each	1908	--	1908
# Reinforcement Bars, Epoxy Coated	Pounds	79,270	19,055	98,325
# Bar Splicers	Each	62	--	62
Slope Wall 4 Inch	Sq. Yd.	--	348	348
Furnishing Steel Piles HP12x53	Foot	--	1328	1328
Furnishing Steel Piles HP14x89	Foot	--	1656	1656
* Driving Piles	Foot	--	2984	2984
Test Pile Steel HP12x53	Each	--	2	2
Test Pile Steel HP14x89	Each	--	1	1
Name Plates	Each	--	1	1
Anchor Bolts, 1"	Each	--	36	36
Geocomposite Wall Drain	Sq. Yd.	--	38	38
* Pipe Underdrains for Structures 4"	Foot	--	131	131
* Braced Excavation	Cu. Yd.	--	132	132
* Mechanical Splicers	Each	--	104	104
* Drainage Scuppers, DS-II	Each	4	--	4
* Permanent Bench Marks	Each	1	--	1

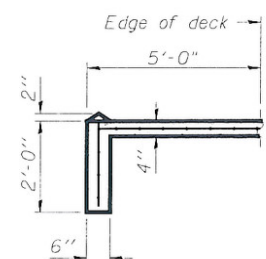
\* See Special Provisions  
# Quantity Includes Approach Slabs



**SECTION THRU INTEGRAL ABUTMENT**



**SECTION THRU CONCRETE SLOPEWALL**



**SECTION A-A**

\* Included in the cost of Pipe Underdrains for Structures 4".

All drainage system components shall extend to 2'-0" from the end of each wingwall except an outlet pipe shall extend until intersecting with the side slopes. The pipes shall drain into concrete headwalls. (See Article 601.05 of the Standard Specification and Highway Standard 601101.)

**GENERAL DATA  
STRUCTURE NO. 010-0288**

DESIGNED	CJC / MEB
CHECKED	JSP
DRAWN	UJ
CHECKED	MEB



SHEET NO. 2 20 SHEETS	F.A.I. RTE. 74	SECTION (10-6)HBR-5	COUNTY CHAMPAIGN	TOTAL SHEETS 63	SHEET NO. 21
	SN 010-0288		CONTRACT NO. 70750		
FED. ROAD DIST. NO. 5 ILLINOIS FED. AID PROJECT					