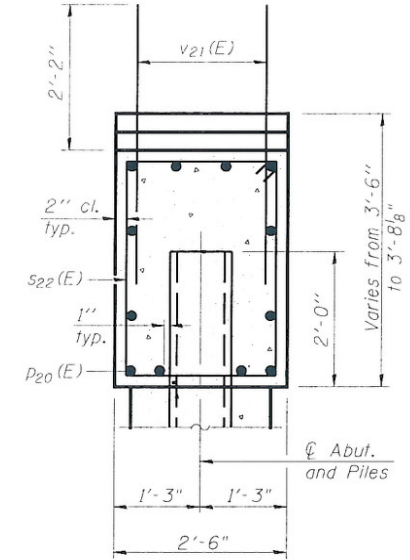
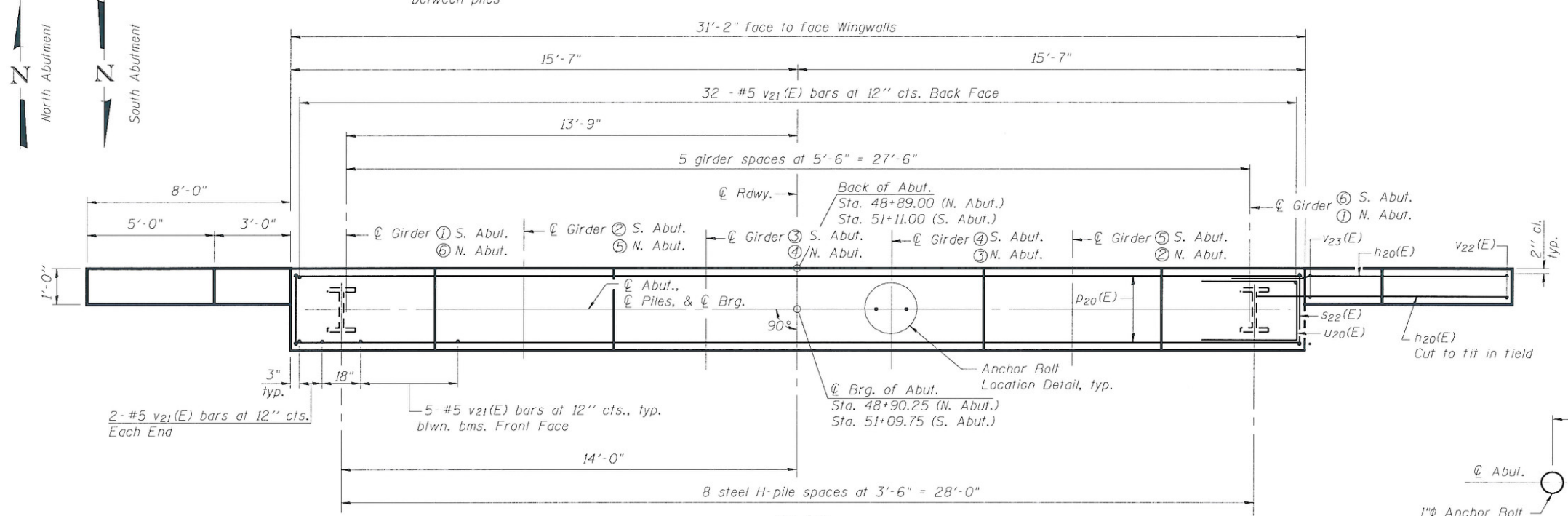


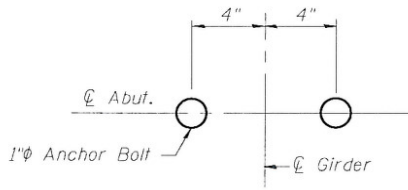
ELEVATION AT ABUTMENT
(Looking South)
(North Abutment similar, except as noted)



SEC. THRU ABUT.



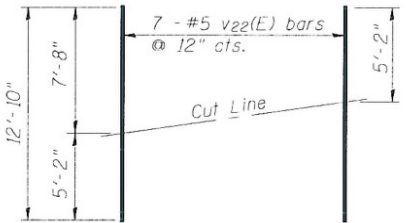
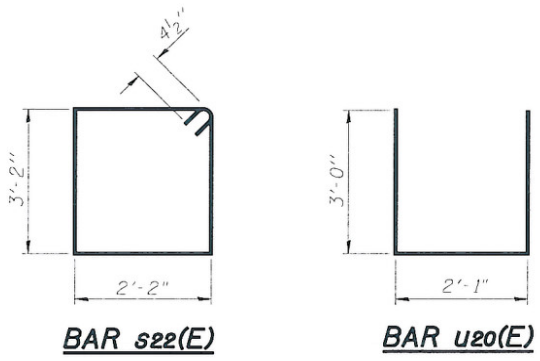
PLAN



ANCHOR BOLT LOCATION DETAIL

N. ABUT. PILE DATA
Type: HP 12x53
Nominal Required Bearing: 313 kips
Factored Resistance Available: 156 kips
Est. Length: 83'
No. Production Piles: 8
No. Test Piles: 1

S. ABUT. PILE DATA
Type: HP 12x53
Nominal Required Bearing: 289 kips
Factored Resistance Available: 145 kips
Est. Length: 83'
No. Production Piles: 8
No. Test Piles: 1



FIELD CUTTING DIAGRAM
Order v22(E) full length. Cut as shown and use remainder of bars in opposite face.

BILL OF MATERIAL (TWO ABUTMENTS)

Bar	No.	Size	Length	Shape
h20(E)	72	#6	10'-7"	—
p20(E)	24	#8	30'-10"	—
s22(E)	56	#4	11'-5"	□
u20(E)	16	#6	8'-1"	□
v21(E)	122	#5	4'-4"	—
v22(E)	56	#5	12'-10"	—
v23(E)	16	#5	7'-8"	—
Structure Excavation		Cu. Yd.	226	
Concrete Structures		Cu. Yd.	29.1	
Reinforcement Bars, Epoxy Coated		Pound	5,175	
Furnishing Steel Piles HP12x53		Foot	1,328	
Driving Piles		Foot	1,328	
Test Pile Steel HP12x53		Each	2	
Concrete Encasement		Cu. Yd.	6.3	

For details of Bar Splicers, see sheet 18 of 20.
For details of piles and Concrete Encasement, see sheet 17 of 20.
*Includes 111.0 Cu. Yd. Structure Excavation for Porous Granular Embankment, Special.

ABUTMENTS STRUCTURE NO. 010-0288

DESIGNED	MEB
CHECKED	JSP
DRAWN	UJ
CHECKED	MEB



SHEET NO. 15 20 SHEETS	F.A.I. RTE.	SECTION	COUNTY	TOTAL SHEETS	SHEET NO.
	74	(10-6)HBR-5	CHAMPAIGN	63	34
SN 010-0288			CONTRACT NO. 70750		
FED. ROAD DIST. NO. 5 ILLINOIS FED. AID PROJECT					