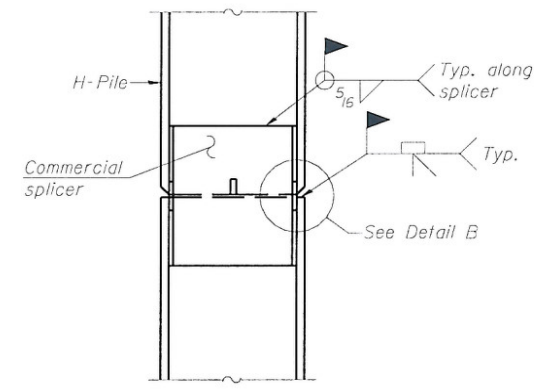
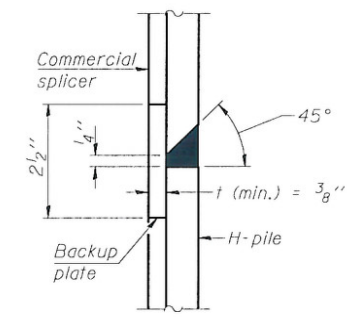


**STEEL PILE TABLE**

Designation	Depth d	Flange width br	Web and Flange thickness t	Encasement diameter A
HP 14x117	14 1/2"	14 7/8"	13/16"	30"
x102	14"	14 3/4"	1/16"	30"
x89	13 7/8"	14 3/4"	5/8"	30"
x73	13 5/8"	14 5/8"	1/2"	30"
HP 12x84	12 1/4"	12 1/4"	1/16"	24"
x74	12 1/8"	12 1/4"	5/8"	24"
x63	12"	12 5/8"	1/2"	24"
x53	11 3/4"	12"	7/16"	24"
HP 10x57	10"	10 1/4"	9/16"	24"
x42	9 3/4"	10 1/8"	7/16"	24"
HP 8x36	8"	8 5/8"	7/16"	18"

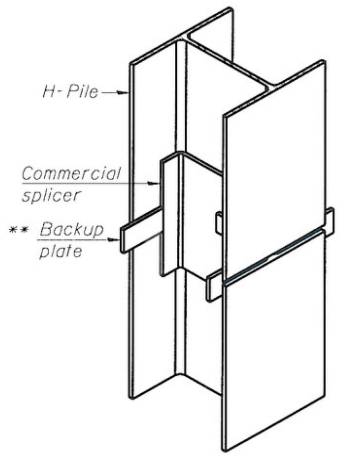


**ELEVATION**

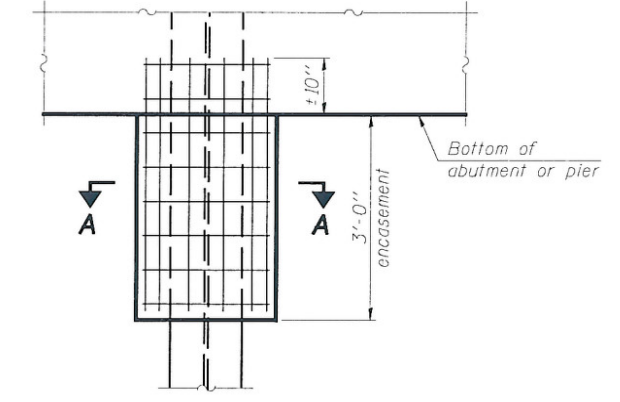


**DETAIL "B"**

**WELDED COMMERCIAL SPLICE**

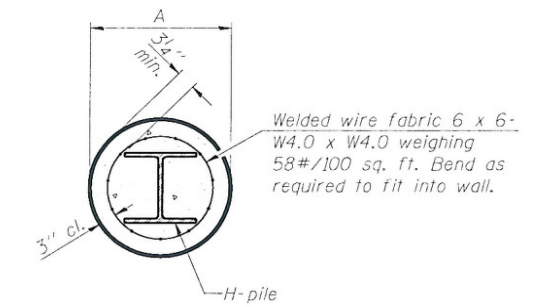


**ISOMETRIC VIEW**



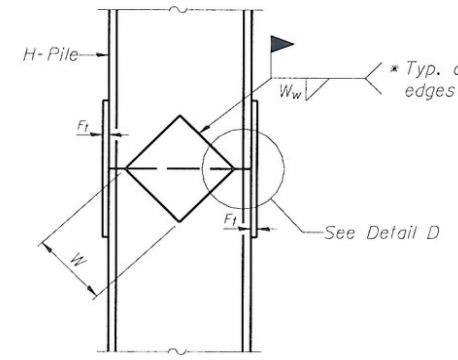
**ELEVATION**

**PILE ENCASEMENT**



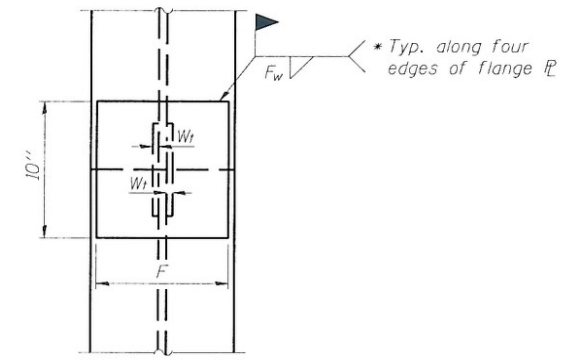
**SECTION A-A**

Note:  
Forms for encasement may be omitted when soil conditions permit.



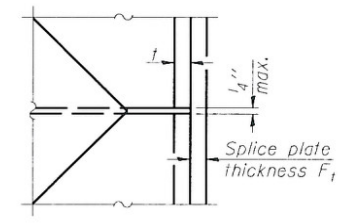
**ELEVATION**

**WELDED PLATE FIELD SPLICE**

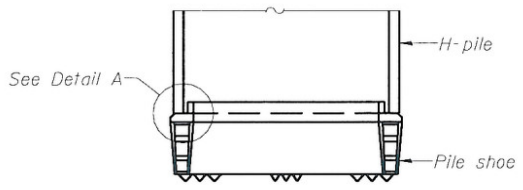


**END VIEW**

Designation	F	F <sub>t</sub>	F <sub>w</sub>	W	W <sub>t</sub>	W <sub>w</sub>
HP 14x117	12 1/2"	1"	7/8"	7 3/4"	5 5/8"	1 1/2"
x102	12 1/2"	7/8"	3/4"	7 3/4"	5 5/8"	1 1/2"
x89	12 1/2"	3/4"	1/16"	7 3/4"	5 5/8"	1 1/2"
x73	12 1/2"	5/8"	9/16"	7 3/4"	5 5/8"	1 1/2"
HP 12x84	10"	7/8"	1/16"	6 1/2"	5 5/8"	1 1/2"
x74	10"	7/8"	1/16"	6 1/2"	5 5/8"	1 1/2"
x63	10"	5/8"	1/2"	6 1/2"	1 1/2"	3 3/8"
x53	10"	5/8"	1/2"	6 1/2"	1 1/2"	3 3/8"
HP 10x57	8"	3/4"	9/16"	5 1/4"	1 1/2"	3 3/8"
x42	8"	5/8"	9/16"	5 1/4"	1 1/2"	3 3/8"
HP 8x36	7"	5/8"	7/16"	4 1/4"	1 1/2"	3 3/8"



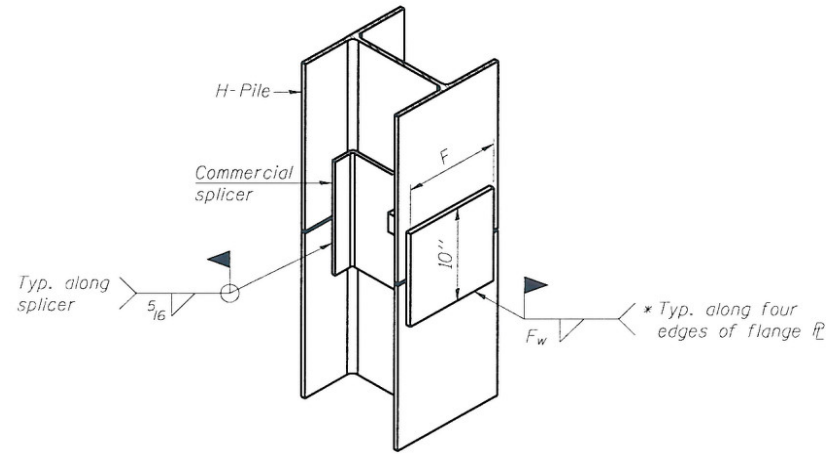
**DETAIL D**



**ELEVATION**

**DETAIL A**

**H-PILE SHOE ATTACHMENT**



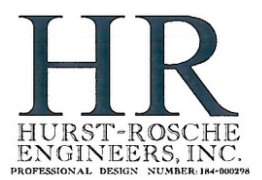
**ISOMETRIC VIEW**

**WELDED COMMERCIAL SPLICE ALTERNATE**

- \* Interrupt welds 1/4" from end of web and/or each flange.
- \*\* Remove portions of backup plates that extend outside the flanges.
- \*\*\* Weld size per pile shoe manufacturer (5/16" min.).

Note:  
The steel H-piles shall be according to AASHTO M270 Grade 50.

DESIGNED	CJC
CHECKED	MEB
DRAWN	UJ
CHECKED	MEB
<b>F-HP</b>	



11-1-09

**HP PILE DETAILS  
STRUCTURE NO. 010-0288**

SHEET NO. 17 20 SHEETS	F.A.I. RTE.	SECTION	COUNTY	TOTAL SHEETS	SHEET NO.
	74	(10-6)HBR-5	CHAMPAIGN	63	36
	SN 010-0288			CONTRACT NO. 70750	
FED. ROAD DIST. NO. 5 ILLINOIS FED. AID PROJECT					